



SOL PLAATJE MUNICIPALITY

Directorate: Infrastructure & Services

Section: Water & Sanitation

Contact persons: W Swiegers

Telephone 053 830 6315

Documents are obtainable from:

Contract Department, City Hall, 2 Market Square, Kimberley

Telephone: 053 8078482/3/4/5/6/7

Date: 02 February 2010

Reference No. "Q006 /2010"

Q 006/2010 : INLET SEWER WORKS ACCESORIES IN IKAGENG

***INVITATION FOR QUOTATIONS FOR ORDERS
ABOVE R30 000 BUT LESS THAN R200 000***

| ITEM | SHORT DESCRIPTION | UNIT | QTY | RATE | AMOUNT |
|------|---|------|-----|-------|--------|
| 1. | <u>Steel gantry</u> | | | | |
| 1.1 | Supply and install steel gantry complete as shown on detail drawings. Including 450 x 450 x 300mm concrete footings with 16mm anchor bolts, base plates, IPE 160 supports and IPE 180 crawler beam. All steel work to be painted with one coat red oxide and two coats high gloss enamel. | no | 1 | _____ | _____ |
| 2. | <u>Valve chamber cover</u> | | | | |
| 2.1 | Supply and install steel frame for valve chamber to specifications and detail drawings. Frame to be painted with one coat red oxide and two coats high gloss enamel paint. | no | 1 | _____ | _____ |
| 2.2 | Supply and install type A vastrap cover with handles to specifications and detail drawings. Covers to be painted with one coat red oxide and two coats high gloss enamel paint. | no | 1 | _____ | _____ |
| 2.3 | Supply and install type B vastrap cover with handles to specifications and detail drawings. Covers to be painted with one coat red oxide and two coats high gloss enamel paint. | no | 2 | _____ | _____ |

| | | | | | |
|-----------|--|----|---|-------|-----------|
| 3. | <u>Grate and rake</u> | | | | |
| 3.1 | Supply and install hot dipped galvanized grate to specifications and detail drawings. | no | 1 | _____ | _____ |
| 3.2 | Supply and install stainless steel grate to specifications and detail drawings. | no | 1 | _____ | Rate only |
| 3.3 | Supply hot dipped galvanized rake to specifications and detail drawings. | no | 2 | _____ | _____ |
| 3.4 | Supply stainless steel rake to specifications and detail drawings. | no | 2 | _____ | Rate only |
| 4. | <u>Manhole covers</u> | | | | |
| 4.1 | Supply and install hot dipped galvanized frame over 1,8m ø manhole rings to specifications and detailed drawings. | no | 2 | _____ | _____ |
| 4.2 | Supply and install hot dipped galvanized rectragrid cover with handles to specifications and detail drawings. | no | 3 | _____ | _____ |
| 4.3 | Supply and install hot dipped galvanized rectragrid cover with opening lid and handles to specifications and detail drawings. | no | 1 | _____ | _____ |
| 5. | <u>Caged ladder</u> | | | | |
| 5.1 | Supply and install hot dipped galvanized caged ladder at sewer inlet works according to specifications and detail drawings. | no | 1 | _____ | _____ |
| 5.2 | Supply and install alluminium caged ladder at sewer inlet works according to specifications and detail drawings. | no | 1 | _____ | Rate only |
| 5.3 | Supply and install hot dipped galvanized ladder without cage at sewer inlet works according to specifications and detail drawings. | no | 1 | _____ | Rate Only |
| 5.4 | Supply and install alluminium ladder without cage at sewer inlet works according to specifications and detail drawings. | no | 1 | _____ | Rate Only |

| | | | | | |
|------------------------------------|---|------------|----------|--------------|-------------------------|
| <p>6. 6.1</p> | <p><u>Other items by contractor</u> Any other item proposed by the contractor to complete the steel work for the sewer works in Ikageng (Please give a detailed description and cost):</p> <p>.....</p> <p>.....</p> <p>.....</p> <p>.....</p> <p>.....</p> <p>.....</p> <p>.....</p> | <p>Sum</p> | <p>1</p> | <p>.....</p> | <p>.....</p> |
| | <p>Sub total</p> | | | | <p>R.....</p> |
| | <p>Contingencies (10%)</p> | | | | <p>R.....</p> |
| | <p>Sub total</p> | | | | <p>R.....</p> <p>..</p> |
| | <p>VAT (14%)</p> | | | | <p>R.....</p> |
| <p>NETT TOTAL AMOUNT, R</p> | | | | | |

GENERAL CONDITIONS

- (1) Quotations must be submitted using this official quotation form.
- (2) All quotations must be submitted with a completed Preference point system procurement certificate.
- (3) Price should include value added tax and delivery charges to Ritchie in Ikageng as indicated during the site visit.
- (4) Any quote will not necessarily be accepted and the Municipality reserves the right to accept the whole or any part of any quote and the bidder scoring the highest number of points will not necessarily be accepted.
- (5) Quotations submitted by non-registered (data base) providers will only be considered ***if a valid original tax clearance certificate from SARS*** is submitted ***with this quotation*** (for amounts above R15000.00) and if all information is submitted as required in the company profile form attached.
- (6) Quotations submitted by registered providers will only be considered if a copy of proof of registration is submitted with this quotation.
- (7) All quotations will be evaluated on a point system in accordance with the provisions of the Preferential Procurement Policy Framework Act No. 5 of 2000.
- (8) Sealed quotations, outwardly marked: **"Q006/2010" Inlet Sewer Works Accessories in Ikageng** must be addressed to the ***Municipal Manager*** and placed in the: **Tender box, Ground Floor, Main Entrance of the City Hall, 2 Market Square, Kimberley** not later than ***11:00 on MONDAY, 15 FEBRUARY 2010.***
Quotations will be opened in public in the Boardroom of the City Hall immediately after closing the same day.
- (9) Invoices received before the last working day of each month will, as far as possible, be paid not later than the 15th day of the following month.

IS YOUR COMPANY REGISTERED AS AN AUTHORISED PROVIDER WITH SOL PLAATJE MUNICIPALITY? YES NO

IF YES, PROVIDE REGISTRATION NO. _____

DELIVERY TIME _____

SETTLEMENT DISCOUNT ALLOWED _____ % _____ DAYS

THESE QUOTED PRICE/S WILL HOLD GOOD UNTIL _____

NAME OF BIDDER _____

AUTHORISED BY _____

NAME OF COMPANY: _____

ADDRESS: _____

TELEPHONE NO. _____ FAX NO. _____

E-MAIL ADDRESS _____

SPECIFICATIONS :

The project comprises all materials, labour, plant, equipment, tools, transport, administration, etc. to complete the construction of the works according to the project specifications and to the satisfaction of the employer.

The following is a summary of the scope of work (refer to the drawings for detail).

Item1 - Steel gantry

- a) Excavate and level for 450x450x300mm concrete footings. Construction of four concrete footings to dimensions with a minimum concrete strength of 20Mpa. Four 16mm diameter anchor bolts installed per footing.
- b) Supply and manufacture of a steel gantry to dimensions shown on the drawings. The gantry consists of 20mm base plates, IPE160 supports and an IPE180 crawler beam with 10mm end plates. All steel section connection points to be fixed with a 6mm full weld on all sides. The crawler beam to be fixed to the supports with four M16 bolts and nuts at each connection point.
- c) All steel work to be painted with one coat red oxide and two coats high gloss enamel. The colour of the paint will be confirmed by the employer.
- d) A galvanized wheel crawler has to be supplied and installed onto the crawler beam.

Item 2 - Valve chamber cover

- a) Supply and manufacture a steel frame with 60x60x6mm angle iron sections to dimensions shown on the drawing. All steel section connection points to be fixed with a 6mm full weld on all sides. The steel frame to be fixed to the chamber walls with 12mm HILTI anchor bolts.
- b) Supply and manufacture two Vastrap steel plate covers (4,5mm + 1,6mm) to fit into steel frame. Two 10mm diameter round bar handles to be welded onto each cover with 6mm full weld.
- c) All steel work to be painted with one coat red oxide and two coats high gloss enamel. The colour of the paint will be confirmed by the employer.

Grate and rake

- a) Supply and manufacture a steel grate to dimensions shown on drawings. Note that the dimensions have to be verified on site to fit the sewer inlet works. Steel grate to be manufactured from 50x10mm flat bar edge frame with 50x10mm flat bar welded at 35mm centres.
- b) Supply and manufacture two steel rakes to dimensions shown on drawings. Rake consists of 32x2,0mm circular hollow section handle fixed to rake head with 30x6,0mm flat bar. Rake head manufactured with 60x60x3,0mm hollow section and 16mm round bar fixed at 35mm centres as indicated. Round bar end to be sharpened at 30° and welded to head with 6mm full weld on all sides.
- c) All steel work to be hot-dipped galvanized.

Manhole covers

- a) Supply and manufacture two round steel frames with 150x8,0mm flat bar to fit around pre-cast concrete manhole rings ($\pm 2,02m \text{ } \varnothing$). Weld two 50x50x6,0mm angle iron sections back to back with 200mm weld at 300mm centres. Angle irons welded to flat bar frame with 6mm full weld. The steel frames to be fixed to the concrete manhole rings with 12mm HILTI anchor bolts at 525mm centres.
- b) Supply and manufacture three RS40 (40x4,5mm) rectragrid covers with 40x5mm flat bar welded with 6mm weld on the sides of the cover. Rectragrid cover to fit into the steel frame. Three 10mm diameter round bar handles to be welded onto each cover with 6mm full weld as shown on drawings.
- c) Supply and manufacture a RS40 (40x4,5mm) rectragrid covers with lockable opening gate. All sides of rectragrid cover and gate to be finished with 40x5mm flat bar welded to the sides. The gate to be fixed with heavy duty hinges to the cover. Rectragrid cover and gate to fit into the steel frame. Three 10mm diameter round bar handles to be welded onto the cover with 6mm full weld as shown on drawings.
- d) All steel work to be hot-dipped galvanized.

Caged ladder

- a) Supply and fix a pre-manufacture galvanized caged ladder according to the detail on attached drawings. The difference between the floor level and the top level is $\pm 3750mm$. The dimensions of existing works and depth of manhole have to be verified on site
- b) Caged ladder to be hot-dipped galvanized.

SPECIAL CONDITIONS:

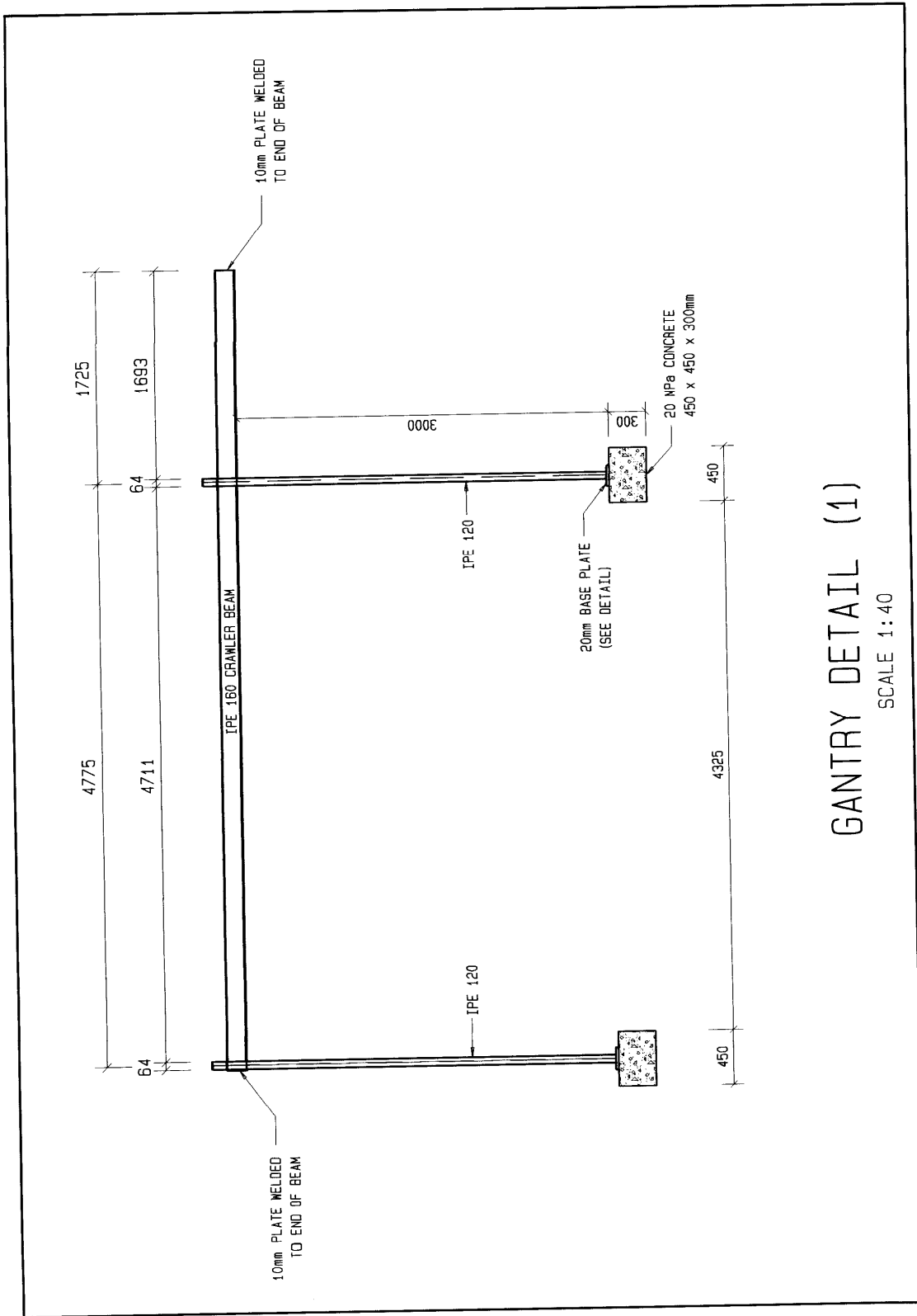
- (1) Failure to submit a fully priced Schedule with a Quotation will invalidate such Quotation.
- (2) Ensure that all costs relevant to the fulfillment of the Contract Conditions are included with quotation.
- (3) A compulsory site inspection meeting will be held on **Thursday, 04 February, 2010 at 10h00** in the City Engineers Committee Room, 2nd floor, Old Building, thereafter a site visit will take place in Ikageng Ritchie.

AS AGREED BY :-

LINE/PROJECT MANAGER _____ DATE _____

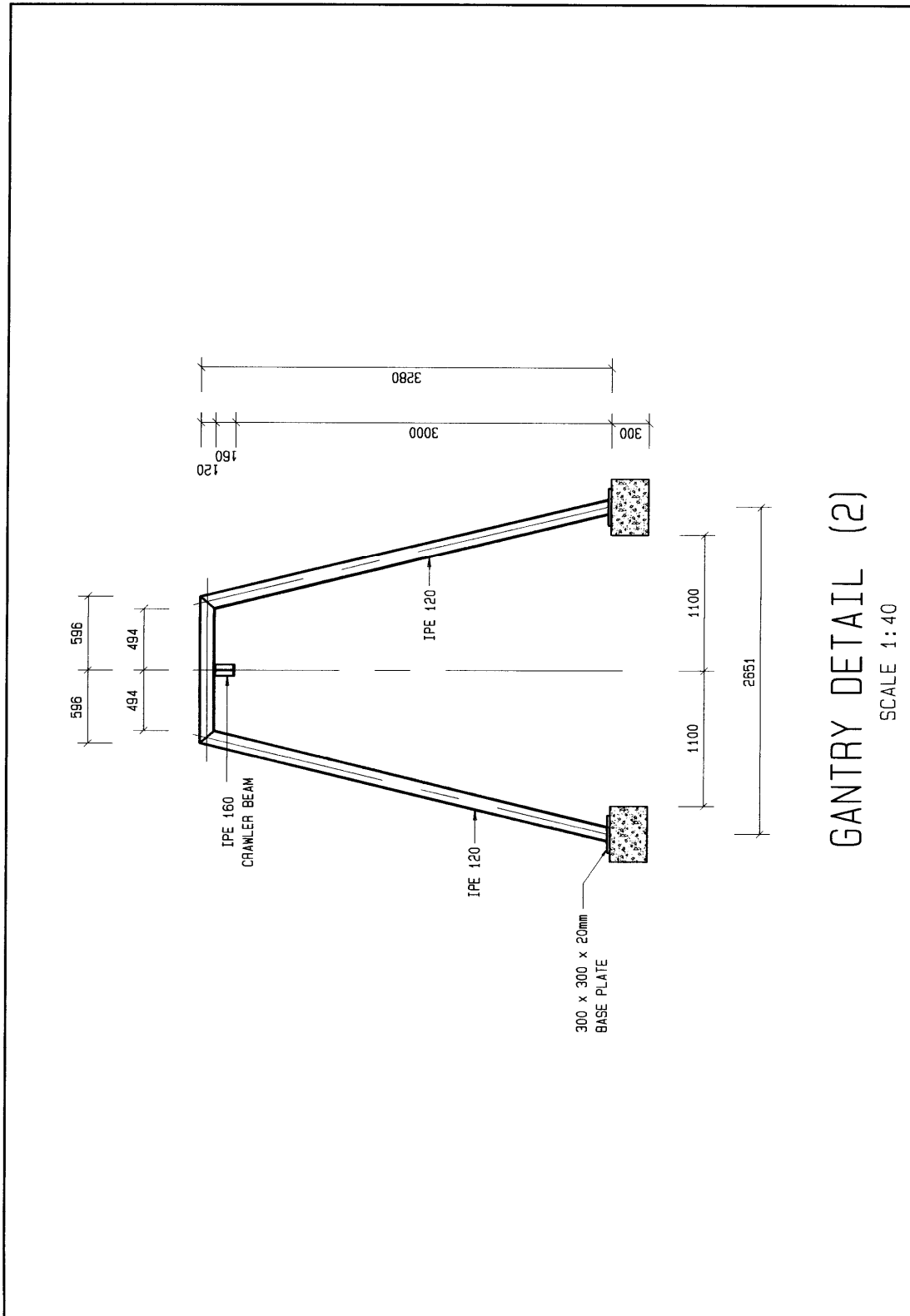
ACQUISITION MANAGER _____ DATE _____

APPROVED BY :-
SUPPLY CHAIN MANAGER _____ DATE _____



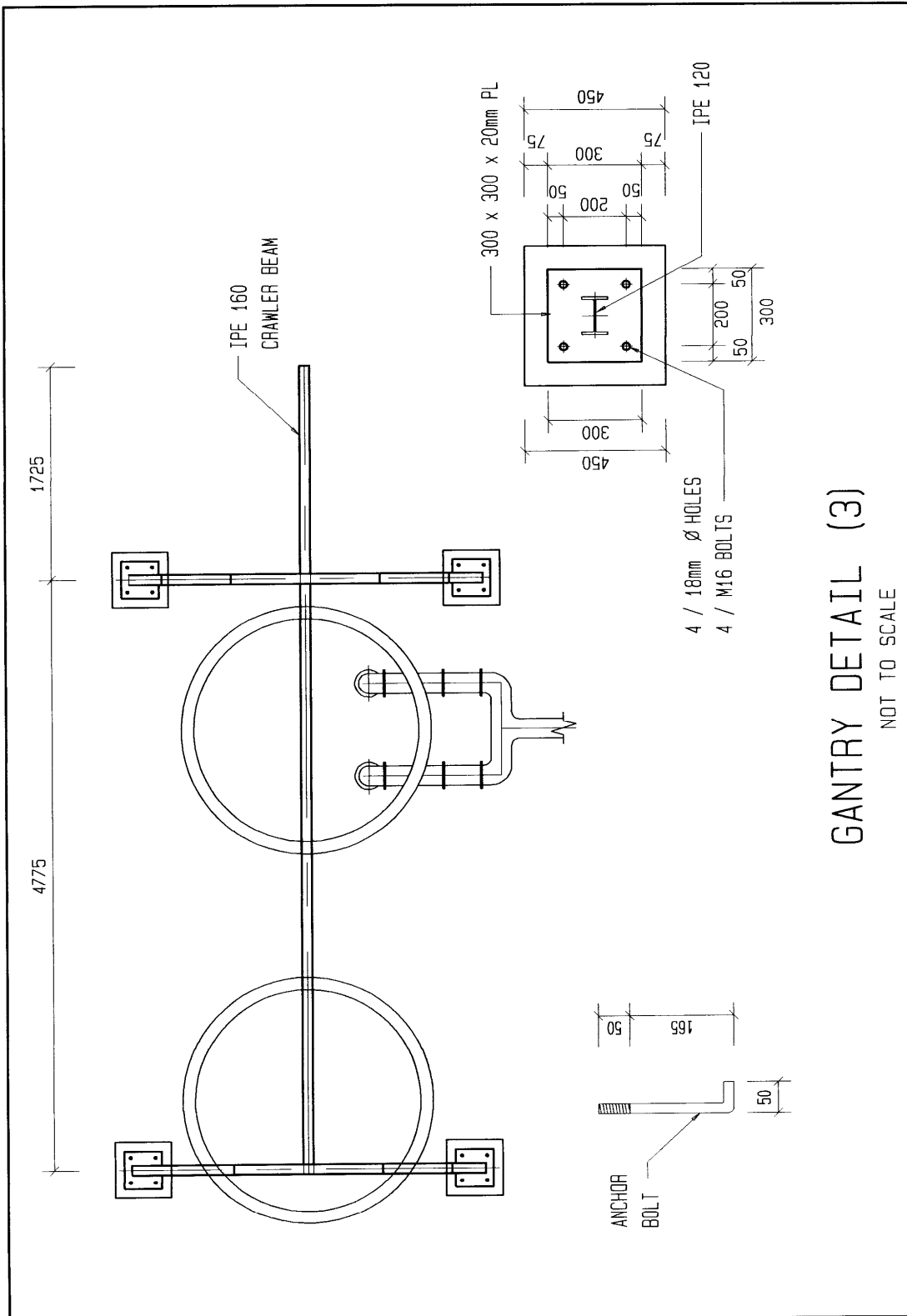
GANTRY DETAIL (1)

SCALE 1:40

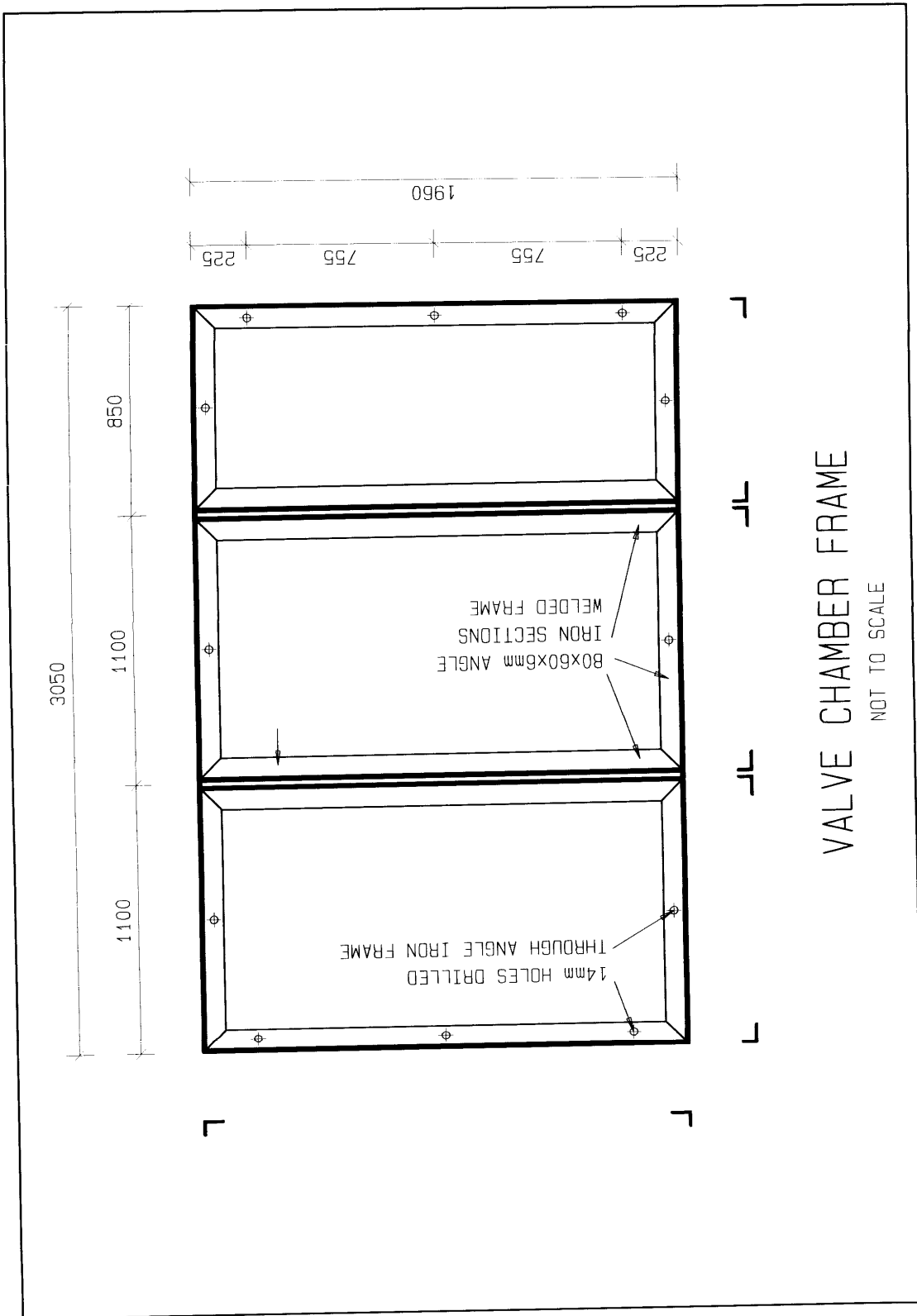


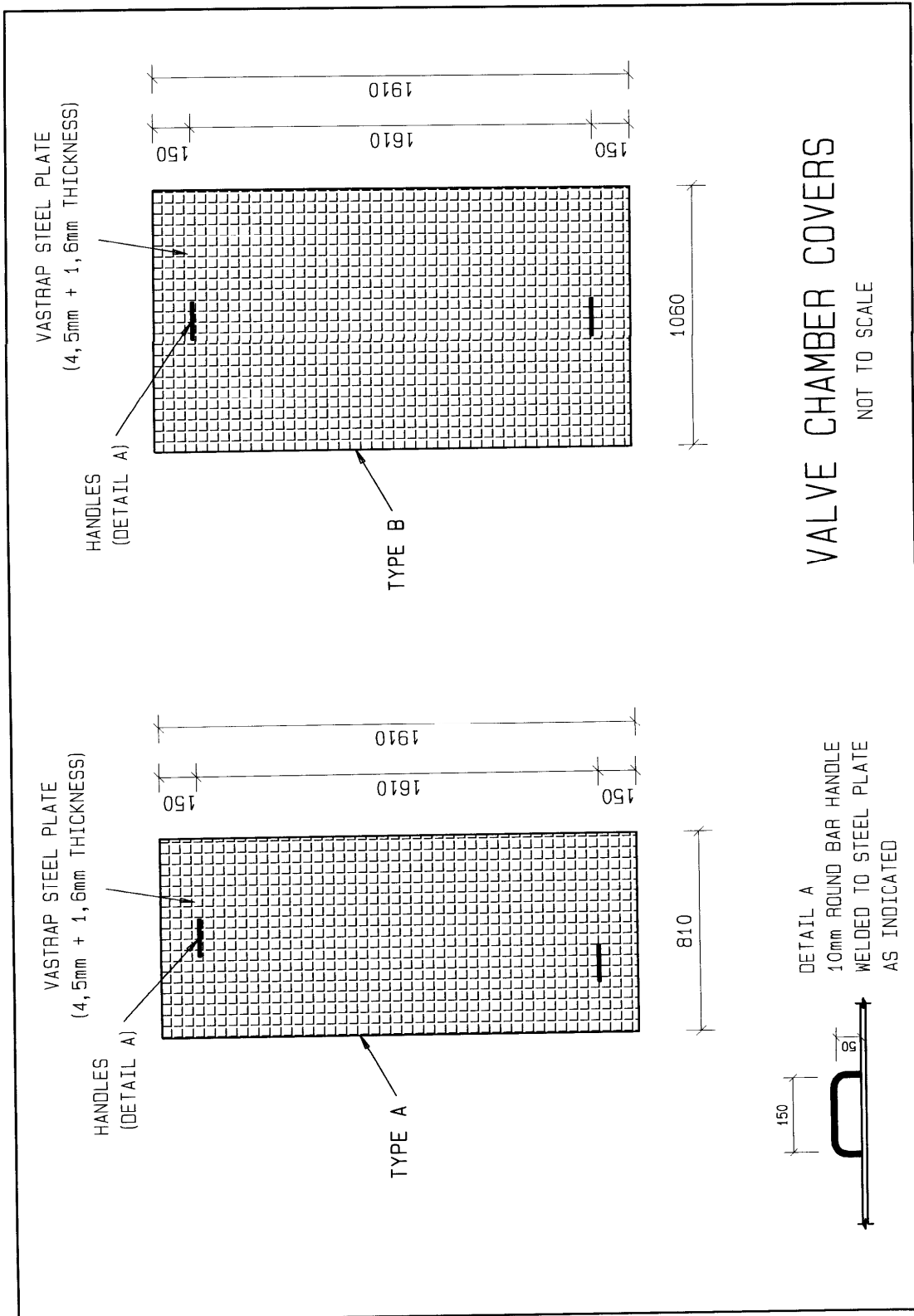
GANTRY DETAIL (2)

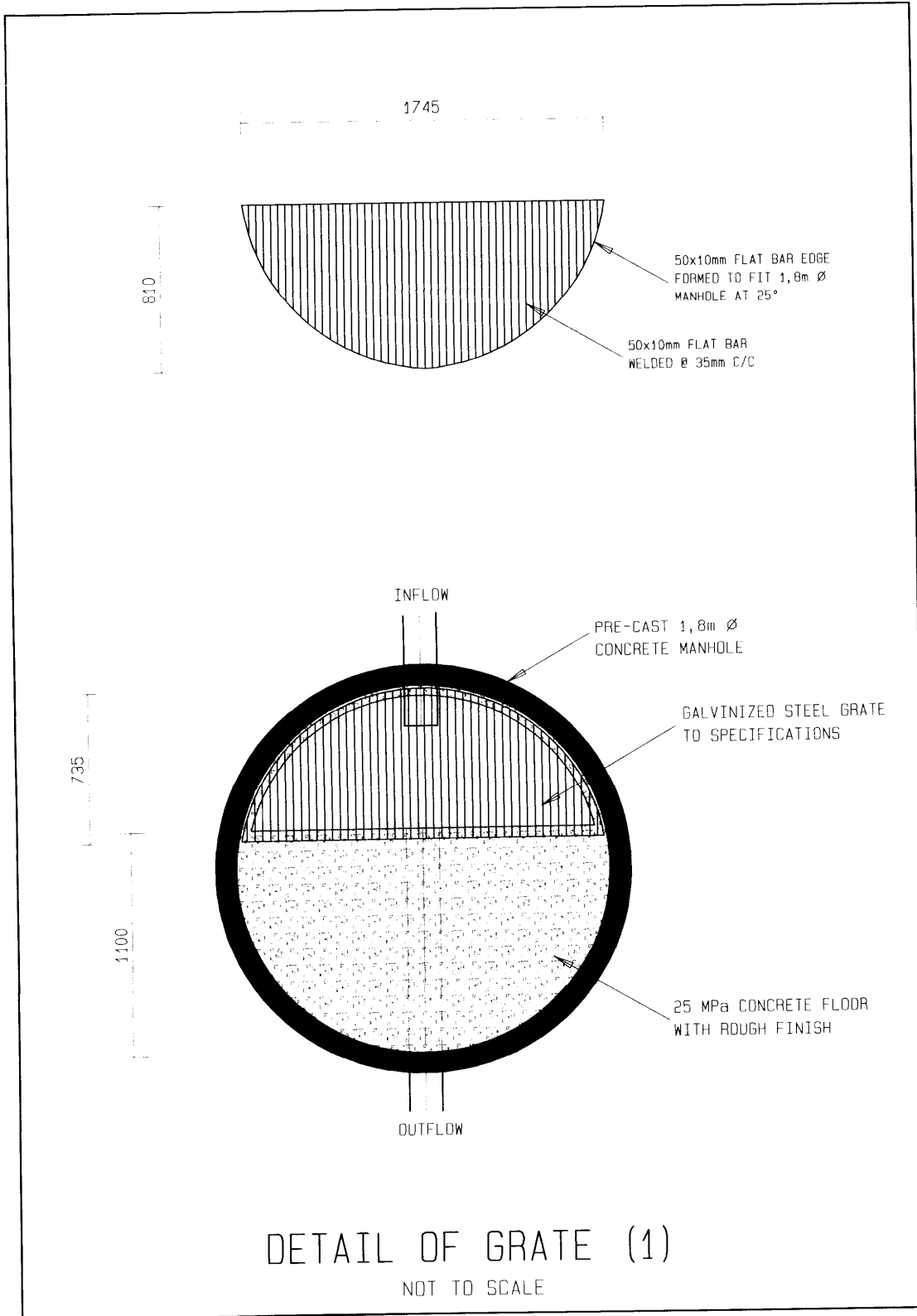
SCALE 1:40

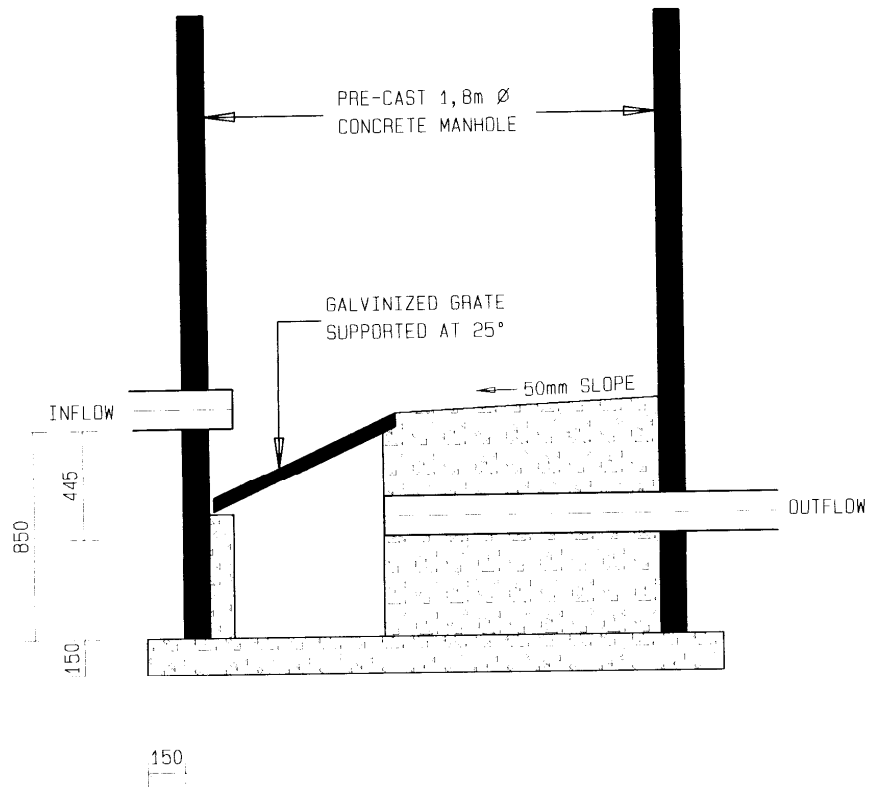


GANTRY DETAIL (3)
NOT TO SCALE



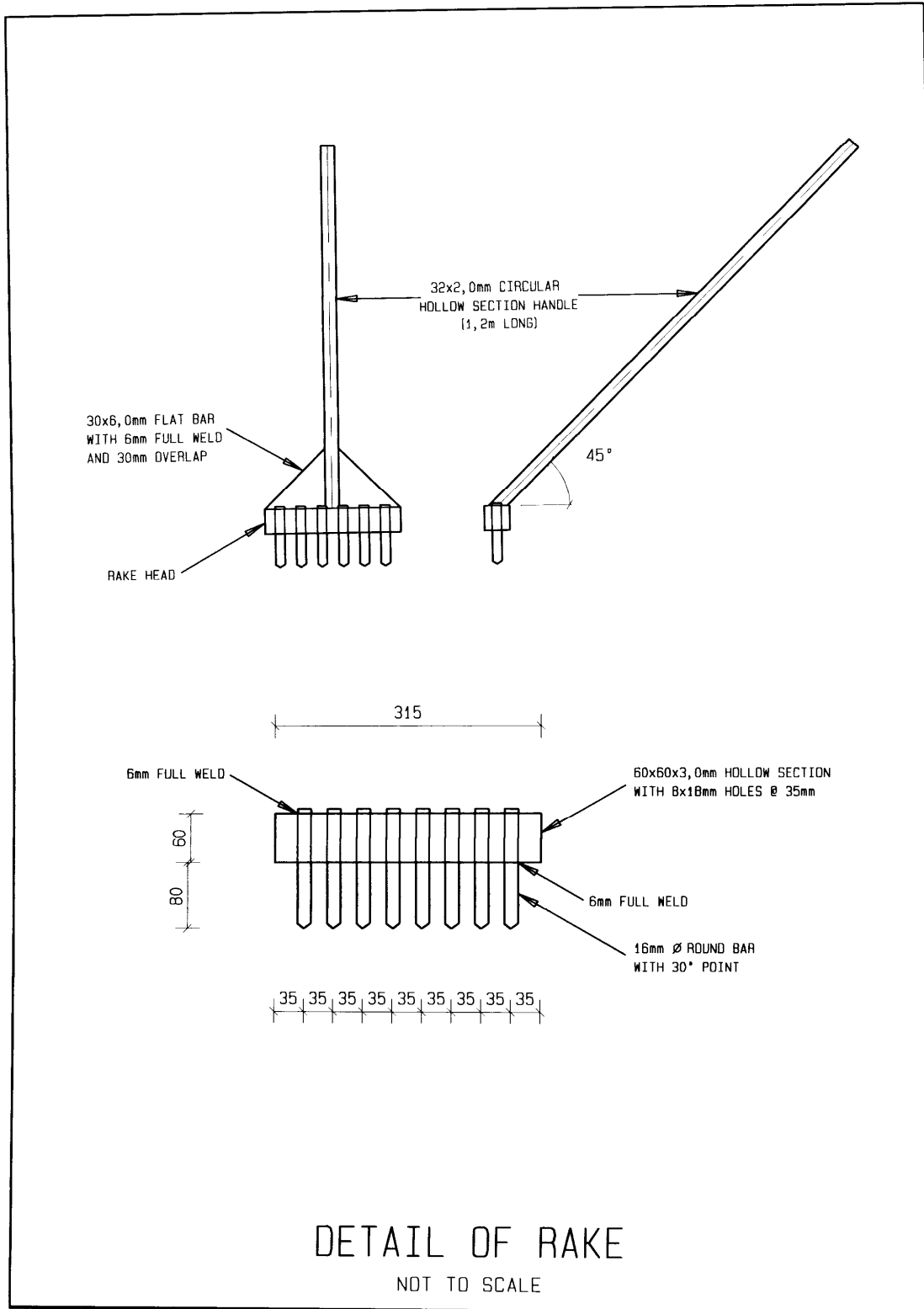


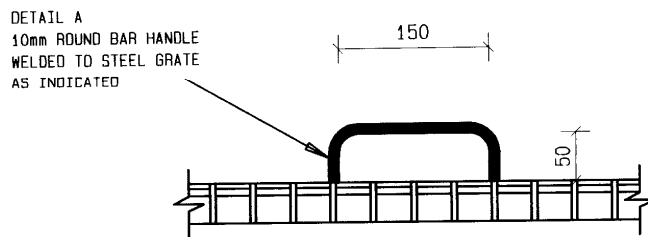
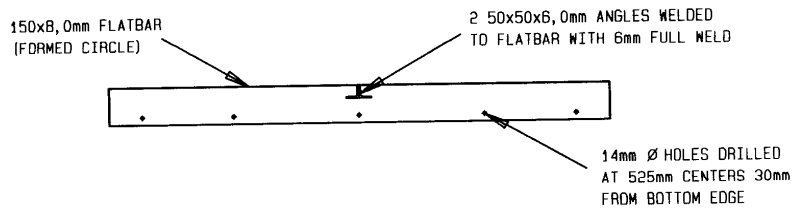
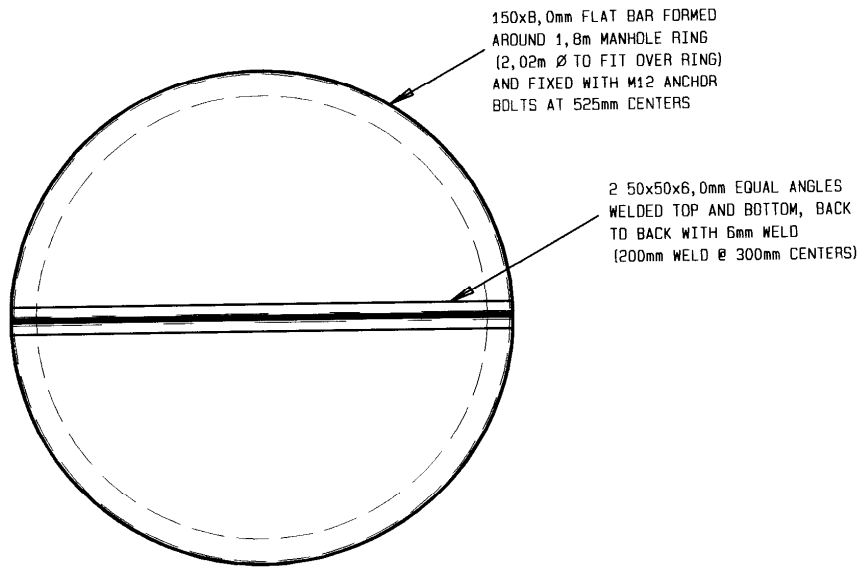




DETAIL OF GRATE (2)

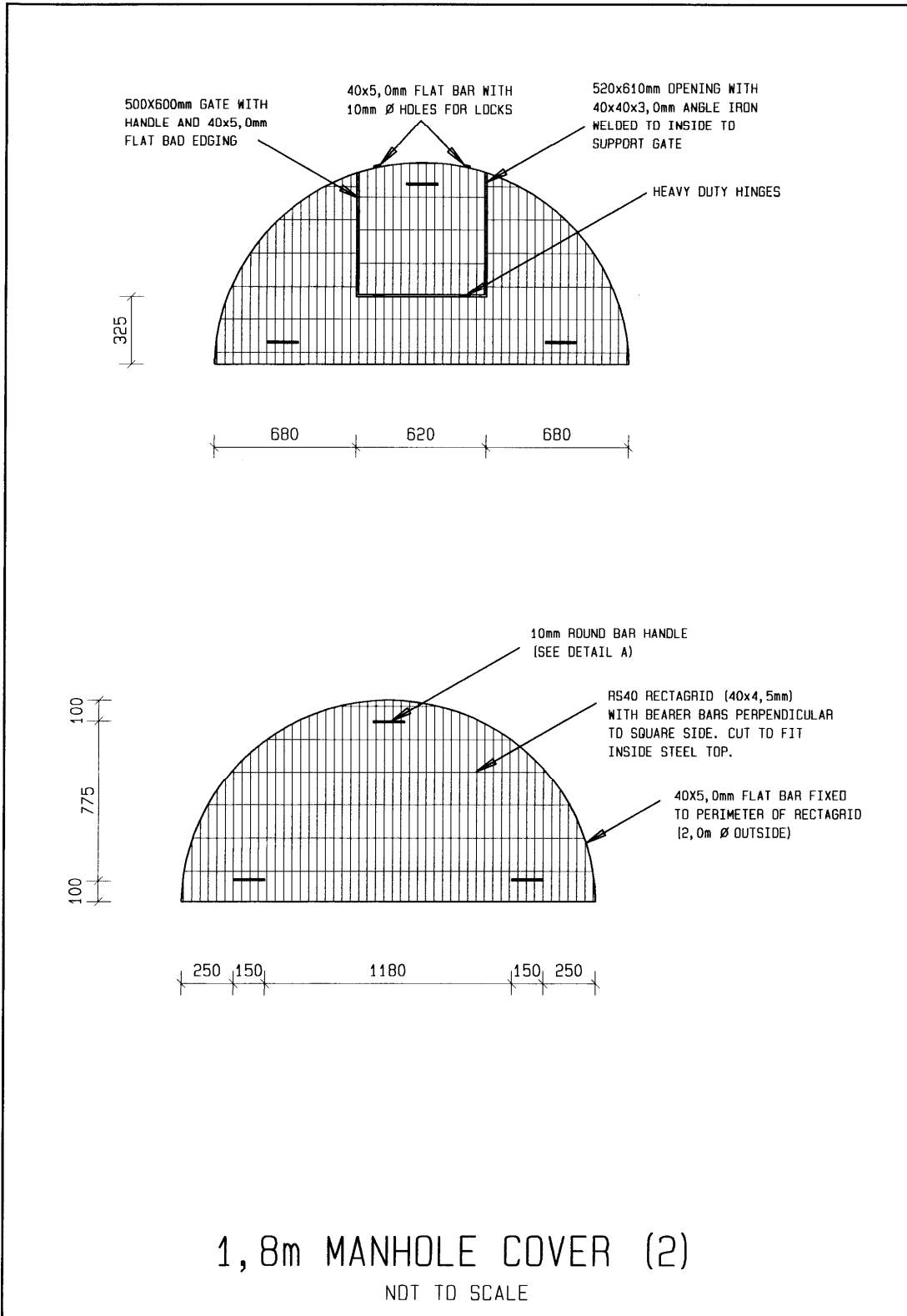
NOT TO SCALE

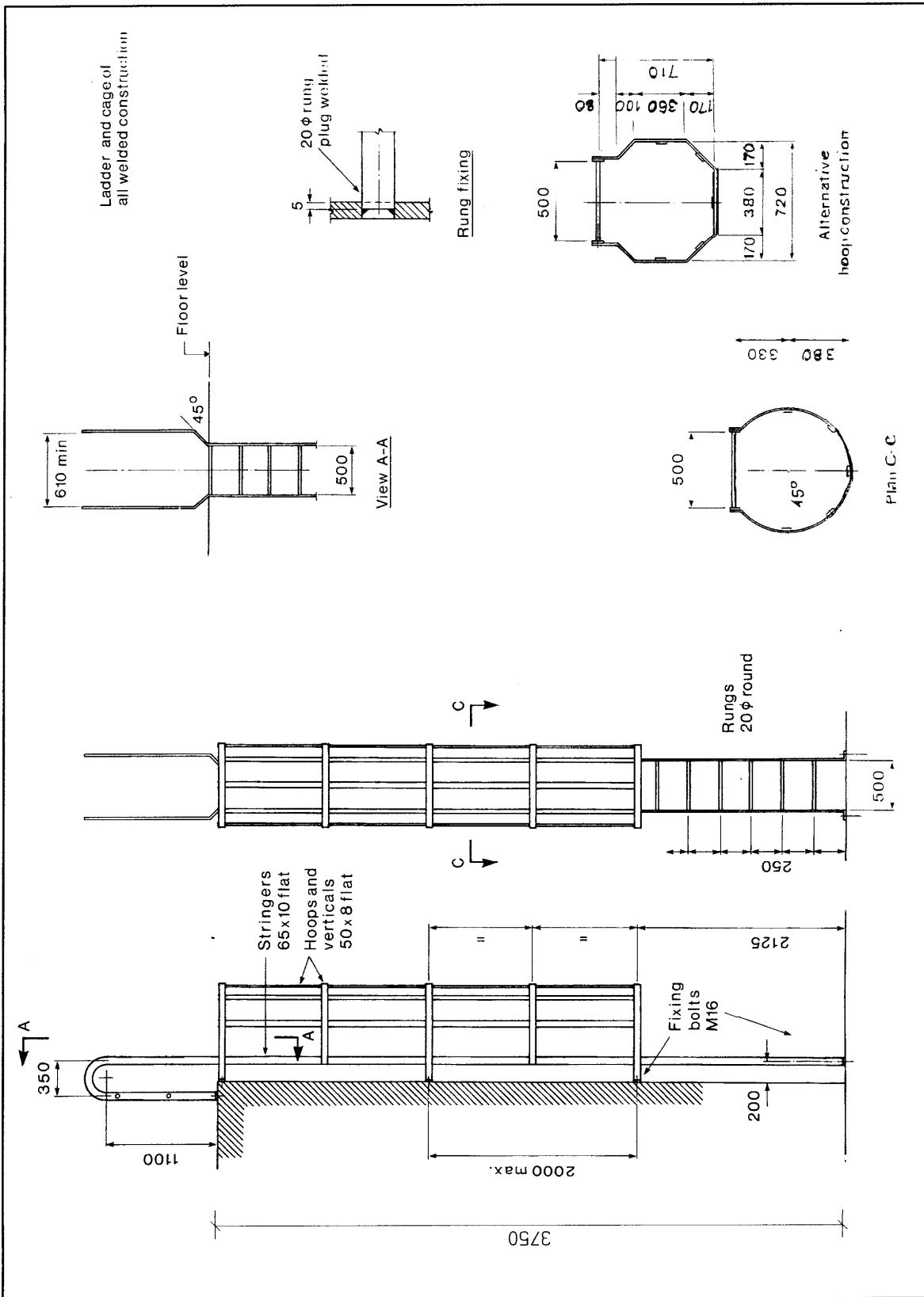




1,8m MANHOLE COVER (1)

NOT TO SCALE





| | |
|--|--|
|  <p>Sol Plaatje Municipality</p> | <p>SOL PLAATJE MUNICIPALITY, KIMBERLEY</p> <p>LISTING CRITERIA</p> |
|--|--|

*****Please return immediately*** with your application form and / or quotation.**

- 1) **Company Name:**
- 2) **Contact Details:** Tel No: Fax No:.....Cell phone No:.....
- 3) **Postal Address:**
- 4) **VAT Registered:** Yes No **If registered, VAT Registration No:**
- 5) **Settlement Discount Allowed:** % for payment within.....days
- 6) **Bank Name:**
- 7) **Account No:** **Type of Account:** **Branch code:**.....
- 8) **Location in Sol Plaatje Municipal Area:** Yes No
- 9) **% owned by black male:**.....% **% owned by black female:** %
% owned by black youth:%
- 10) **% owned by disabled persons:**% **% owned by white female:**..... %
- 11) **Indicate Main Sector/ Please select one only:**
 Agriculture ; Mining and Quarrying ; Manufacturing ; Electricity, Gas, Water ;
 Construction ; Retail & Motor Trade & Repairs ; Wholesale Trade, Commercial Agents and
 Allied Services ; Catering & Accommodation & other Trade ; Transport, Storage &
 Communications; Finance and Business Services ; Community, Social and Personal
 Services
- 12) **Amount of full time employed staff:** **Annual Turnover: R**.....
Asset Value (excluding fixed property): R.....
- 13) **Declaration of Interest:**
 Are you in the service of the State or have you been in the service of the State (including
 Municipal officials or councillors) in the previous 12 months?
 Are any close family members (spouse, child or parent) of a director, manager, shareholder or
 stakeholder of your company in the service of the State (including municipal officials or councillors)
 or has been in the service of the State during the previous 12 months?

SOL PLAATJE MUNICIPALITY



PREFERENCE POINT SYSTEM

PROCUREMENT CERTIFICATE

Preference point system for procurement with a Rand value equal to, or above R30,000.

NAME OF FIRM: _____

POSTAL ADDRESS _____

TELEPHONE NO. _____

CONTACT PERSON _____

**PREFERENCE POINTS CLAIM FORM IN TERMS OF
THE PREFERENTIAL PROCUREMENT REGULATIONS 2001
PURCHASES**

METHOD OF POINTS CALCULATION

The points system used is in accordance with the provisions of the Preferential Procurement Policy Framework Act, No. 5 of 2000. The total combined points allowed for Functionality and Price, in respect of tenders with an estimated Rand value equal to, or below, R500000, will not exceed 90 points.

Functionality and Price will be allocated 50% each on either applicable point system. The required minimum score for Functionality will be 60% in accordance to outline score card, to qualify for further adjudication.

The balance of the points, 10 or 20 respectively, will be awarded for factors of importance to Sol Plaatje Municipality. The points indicated for these factors hereunder can be totaled to 100 points but will be adjusted pro-rata to the points applicable to this Contract, i.e. 10 or 20.

This preference form must form part of all bids invited. It contains general information and serves as a claim form for Historically Disadvantaged Individuals (HDI's) preference points as well as a summary for preference points claimed for attainment of other specified goals and points for functionality.

N.B. :

BEFORE COMPLETING THIS FORM, BIDDERS MUST STUDY THE GENERAL CONDITIONS, DEFINITIONS AND DIRECTIVES APPLICABLE IN RESPECT OF EQUITY OWNERSHIP BY HISTORICALLY DISADVANTAGED INDIVIDUALS (HDI'S) AS PRESCRIBED IN THE PREFERENTIAL PROCUREMENT REGULATIONS 2001

The following preference point systems are applicable to all quotes:

- 1.1 The following preference point systems are applicable to all quotes: -
The 80/20 system for requirements with a Rand value of up to R200 000

- 1.2 Preference points for this bid shall be awarded for: -
 - (a) Functionality
 - (b) Price; and
 - (c) Specific contract participation goals, as specified in the attached forms

- 1.3 Failure on the part of a bidder to fill in and/or to sign this form may be interpreted to mean that preference points are not claimed.

- 1.4 The purchaser reserves the right to require of a bidder, either before a bid is adjudicated or at any time subsequently, to substantiate any claim in regard to preferences, in any manner required by the purchaser.

SOL PLAATJE MUNICIPALITY

METHOD OF POINTS CALCULATION

- 1.5 Preference for being an HDI and/or subcontracting with an HDI and/or achieving specified goals will be calculated separately and will be added to the points scored for functionality and prices.

80/20 Points

| | |
|---------------------------------------|----|
| Functionality | 40 |
| Price | 40 |
| Specific Contract Participation Goals | 20 |

The following formula will be used to calculate the points for price and functionality: -

$$PS = P_c \times \left\{ 1 - \frac{P_t - P_{\min}}{P_{\min}} \right\}$$

Where

P_c = 80 or 90 dependent on the Contract Value as described above

PS = points scored for price of quote under consideration

P_t = Rand value of offer quote under consideration including functionality

P_{\min} = Rand value of lowest acceptable quote including functionality

**PREFERENCE POINTS CLAIM FORM IN TERMS OF
THE PREFERENTIAL PROCUREMENT REGULATIONS 2001**

PURCHASES

This preference form must form part of all bids invited. It contains general information and serves as a claim form for Historically Disadvantaged Individuals (HDI's) preference points as well as a summary for preference points claimed for attainment of other specified goals.

N.B.: BEFORE COMPLETING THIS FORM, BIDDERS MUST STUDY THE GENERAL CONDITIONS, DEFINITIONS AND DIRECTIVES APPLICABLE IN RESPECT OF EQUITY OWNERSHIP BY HISTORICALLY DISADVANTAGED INDIVIDUALS (HDI'S) AS PRESCRIBED IN THE PREFERENTIAL PROCUREMENT REGULATIONS 2001

GENERAL DEFINITIONS

- 2.1 **“Acceptable bid”** means any bid which, in all respects, complies with the specifications and conditions of bid as set out in the bid document.
- 2.2 **“Bid”** means a written offer in a prescribed or stipulated form in response to an invitation by an organ of state for the provision of goods, works or services.
- 2.3 **“Comparative price”** means the price after the factors of a non-firm price and all unconditional discounts that can be utilised have been taken into consideration.
- 2.4 **“Consortium or joint venture”** means an association of persons for the purpose of combining their expertise, property, capital, efforts, skills and knowledge in an activity for the execution of a contract.
- 2.5 **“Contract”** means the agreement that results from the acceptance of a bid by an organ of state.
- 2.6 **“Specific contract participation goals”** means the goals as stipulated in the Preferential Procurement Regulations 2001.
- 2.6.1 In addition to above-mentioned goals, the Regulations [12.(1)] also make provision for organs of state to give particular consideration to procuring locally manufactured products.
- 2.7 **“Control”** means the possession and exercise of legal authority and power to manage the assets, goodwill and daily operations of a business and the active and continuous exercise of appropriate managerial authority and power in determining the policies and directing the operations of the business.
- 2.8 **“Disability”** means, in respect of a person, a permanent impairment of a physical, intellectual, or sensory function, which results in restricted, or lack of, ability to perform an activity in the manner, or within the range, considered normal for a human being.
- 2.9 **“Equity Ownership”** means the percentage ownership and control, exercised by individuals within an enterprise.
- 2.10 **“Good standing”** means not being blacklisted or involved in illegal activities, must comply with the credit control policy with regard to payments for services and must have satisfactorily complied with present and previous contractual obligations.

GENERAL DEFINITIONS (Continue)

- 2.11 **“Historically Disadvantaged Individual (HDI)”** means a South African citizen
- (1) who, due to the apartheid policy that had been in place, had no franchise in national elections prior to the introduction of the Constitution of the Republic of South Africa, 1983 (Act No 110 of 1983) or the Constitution of the Republic of South Africa, 1993, (Act No 200 of 1993) (“the interim Constitution); and/or
 - (2) who is a female; and/or
 - (3) who has a disability:
 - (4) who is a youth
- provided that a person who obtained South African citizenship on or after the coming to effect of the Interim Constitution, is deemed not to be a HDI;
- 2.12 **“Management”** means an activity inclusive of control and performed on a daily basis, by any person who is a principal executive officer of the company, by whatever name that person may be designated, and whether or not that person is a director.
- 2.13 **“Owned”** means having all the customary elements of ownership, including the right of decision-making and sharing all the risks and profits commensurate with the degree of ownership interests as demonstrated by an examination of the substance, rather than the form of ownership arrangements.
- 2.14 **“Person”** includes reference to a juristic person.
- 2.15 **“Rand value”** means the total estimated value of a contract in Rand denomination that is calculated at the time of bid invitations and includes all applicable taxes and excise duties.
- 2.16 **“Small, Medium and Micro Enterprises (SMMEs)”** bears the same meaning assigned to this expression in the National Small Business Act, 1996 (No 102 of 1996).
- 2.17 **“Sub-contracting”** means the primary contractor’s assigning or leasing or making out work to, or employing another person to support such primary contractor in the execution of part of a project in terms of the contract.
- 2.18 **“Trust”** means the arrangement through which the property of one person is made over or bequeathed to a trustee to administer such property for the benefit of another person.
- 2.19 **“Trustee”** means any person, including the founder of a trust, to whom property is bequeathed in order for such property to be administered for the benefit of another person.

Scorecard for Functionality**IMPORTANT: -**

Failure on the part of the bidder to complete this scorecard means that the quote will not be evaluated and will be set aside.

Penalty:

Upon detecting any false claim or statement hereunder will result in the bidders de-registration and the bidder will be prevented from participation in future contracts for a period of three (3) years.

| | Criteria | Bidders to complete this section | | Office use maximum points (50) |
|---|---|--|--|--------------------------------|
| | | Please indicate <input type="checkbox"/> | | |
| | | ↓ | | |
| 1 | Track record How long has the company been involved in similar completed projects | | | (14) |
| | 0-3 years | | | 6 |
| | 3-10 years | | | 8 |
| | More than 10 years | | | 14 |
| 3 | Value of similar project | | | (6) |
| | Value of reference more than bid | | | 6 |
| | Within 90% | | | 4 |
| | Within 80% | | | 3 |
| | Within 70% | | | 2 |
| | Within 60% | | | 1 |
| | Less than 60% | | | 0 |
| 4 | Nature of project | | | (6) |
| | Similar | | | 6 |
| | Fairly | | | 4 |
| | Slightly | | | 2 |
| | Total different to filed | | | 0 |
| 5 | Quality of work on similar project | | | (6) |
| | Flawless (with minor problems) | | | 6 |
| | Average (with average problems) | | | 4 |
| | Major Problems | | | 2 |
| | Unacceptable / done by others | | | 0 |
| 6 | Delivery How long will the company take to complete this project | | | (8) |
| | 1 week (7 days) | | | 8 |
| | 2 weeks (14 days) | | | 6 |
| | 3 weeks (21 days) | | | 4 |
| 7 | Capacity Building & Skills Transfer | | | (5) |
| | Will local labourers be trained on site | | | 1 |
| | Will Contractor provide accredited training | Yes | | 5 |
| | | No | | 0 |
| 8 | Operational Capability | | | (5) |
| | Established local office | | | 5 |
| | Plan to open local office | | | 3 |
| | No plans to open local office | | | 0 |

AS AGREED BY: -

LINE/PROJECT MANAGER: _____ DATE _____

ACQUISITION MANAGER : _____ DATE _____

APPROVED BY:

SUPPLY CHAIN MANAGER: _____ DATE _____

| | |
|--|----|
| TOTAL | |
| *(Note: Suppliers must score at least 30/50 to be considered) | 50 |

| | Tick where applicable | |
|---------------------|-----------------------|--|
| CHECKED BY: | Continue | |
| DESIGNATION: | Discontinue | |

**PREFERENTIAL, HDI AND SPECIFIC GOALS BALANCED SCORECARD 1:
(80/20 AND 90/10 PREFERENCE POINT SYSTEM)**

IMPORTANT: -

Failure on the part of the bidder to complete this scorecard means that the quote will not be evaluated and will be set aside.

Penalty: -

Upon detecting any false claim or statement hereunder will result in the bidders de-registration and the bidder will be prevented from participation in future contracts for a period of three (3) years

| | | <i>Bidders to complete this section</i> | OFFICE USE | | Points | |
|--|---|---|-------------------|---------|---------------|------------|
| Core Component Of Goal/Target | Indicators | %Raw score indicate | % Weighting | % Score | 80/20 | 90/10 |
| Direct Empowerment (Ownership and Control by black persons) (30 + 15 = 45)** | | | | | | |
| Equity Ownership | % owned by black persons | ↓ | 30 ** | | 6 | 3 |
| | % owned by black disabled persons | | 5 * | | | |
| | % owned by black women | | 15 * | | | |
| | % owned by black youth | | 10 * | | | |
| Management (Control) | % black persons in executive management and/or executive board and board committees with unrestricted Voting Rights | | 15 ** | | 3 | 1.5 |
| Human Resource Development (10) * | | | | | | |
| Employment Equity | Weighted employment equity analysis (% of black people as a proportion of total workforce) | ↓ | 5 * | | 1 | .5 |
| Skills Development | Skills development expenditure as a proportion (%) of total payroll | | 5 * | | 1 | .5 |
| Indirect Empowerment (35) * | | | | | | |
| Preferential procurement | Procurement from black owned and empowered enterprises as a proportion (%) of total procurement | ↓ | 15 * | | 3 | 1.5 |
| Enterprise Development | Investment in enterprises, owned 100% by black persons, as a proportion (%) of total assets. | | 5 * | | 1 | .5 |
| | % of profit shared by a Black-owned enterprise as a consortium or joint venture for this contract or % of this contract that will be sub-contracted to a black owned enterprise | | 15 * | | 3 | 1.5 |
| Residual (10) * | | | | | | |
| Local content. The promotion of enterprises located in a specific municipal area for work to be done or services to be rendered in that municipal area | % local content in relation to the bid price | ↓ | 10 * | | 2 | 1 |
| Total Score out of 100% | | | 100 | | 20 | 10 |
| <p>N.B.: The total out of 100% will be converted to a point out of maximum of 10 or 20 points for HDI/Specific Goals. Points awarded will be added to the total score from price and functionality.</p> <p>Joint Venture Conditions: The HDI involvement Limit of subcontracted portion of Bid to a minimum of 25%</p> | | | | | | |

METHOD OF POINTS CALCULATION (Continued)

ESTABLISHMENT OF HDI EQUITY OWNERSHIP IN AN ENTERPRISE

Equity ownership shall be equated to the percentage of an enterprise which is owned by individuals classified as HDI's, or in the case of a company, the percentage shares that are owned by individuals classified as HDI's, who are actively involved in the management and daily business operations of the enterprise and exercise control over the enterprise, commensurate with their degree of ownership.

Where individuals are not actively involved in the management and daily business operations and do not exercise control over the enterprise commensurate with their degree of ownership, equity ownership may not be claimed.

ADJUDICATION USING A POINT SYSTEM

The bidder obtaining the highest number of points **may** be awarded the contract.

Any bidder scoring less than 60% on functionality will be disqualified from further adjudication.

Preference points shall be calculated after prices have been brought to a comparative basis.

Points scored will be rounded off to 2 decimal places.

In the event of equal points scored, the bid **will** be awarded to the bidder scoring the highest number of points for specified goals.

POINTS AWARDED FOR HISTORICALLY DISADVANTAGED INDIVIDUALS

Equity claims for a trust will only be allowed in respect of those persons who are both trustees and beneficiaries and who are actively involved in the management of the trust.

Documentation to substantiate the validity of the credentials of the trustees contemplated above must be submitted.

Listed companies and tertiary institutions do not qualify for HDI preference points.

A consortium or joint venture may, based on the percentage of the contract value managed or executed by their HDI-members, be entitled to preference points in respect of an HDI.

A person awarded a contract as a result of preference for contracting with, or providing equity ownership to an HDI, may not subcontract more than 25% of the value of the contract to a person who is not an HDI or does not qualify for the same number or more preference for equity ownership.

BID DECLARATION

Bidders must complete the "Declaration of Interest" form at the end of this form.

DECLARATION OF INTEREST

1. No bid will be accepted from persons in the service of the State* .
2. Any person, having a kinship with persons in the service of the State, including a blood relationship, may make an offer or offers in terms of this invitation to bid. In view of possible allegations of favouritism, should the resulting bid, or part thereof, be awarded to persons connected with or related to persons in the service of the State, it is required that the bidder or his/her authorised representative declare his/her position in relation to the evaluating/adjudicating authority and/or take an oath declaring his/her interest bid.
3. In order to give effect to the above, the following questionnaire must be completed and submitted with the bid: -
 - 3.1 Full name
 - 3.2 Identity number
 - 3.3 Company registration number
 - 3.4 Tax reference number.....
 - 3.5 VAT registration number
 - 3.6 Are you presently in the service of the State* YES / NO
 - 3.6.1 If so, furnish particulars
 -
 - 3.7 Have you been in the service of the State for the past 12 months YES / NO
 - 3.7.1 If so, furnish particulars
 -
 - 3.8 Do you have any relationship (family, friend, other) with persons YES / NO
in the service of the State and who may be involved with the evaluation
and/or adjudication of this bid?
 - 3.8.1 If so, furnish particulars
 -
 - 3.9 Are you aware of any relationship (family, friend, other) between YES / NO
a bidder and any persons in the service of the State and who may be
involved with the evaluation and/or adjudication of this bid?
 - 3.9.1 If so, furnish particulars
 -

3.10 Are any of the company’s directors, managers, principle shareholders or stakeholders in service of the State?

YES / NO

3.10.1 If so, furnish particulars

.....

3.11 Are any spouse, child or parent of the company’s directors, managers, principle shareholders or stakeholders in service of the State?

YES / NO

3.11.1 If so, furnish particulars

.....

* MSCM Regulations “in the service of the State” means to be -

- (a) a member of –
 - (i) any municipal council;
 - (ii) any provincial legislature; or
 - (iii) the national Assembly or the national Council of provinces;
- (b) a member of the board of directors of any municipal entity;
- (c) an official of any municipality or municipal entity;
- (d) an employee of any national or provincial department, national or provincial public entity or constitutional institution within the meaning of the Public Finance Management Act, 1999 (Act No. 1 of 1999);
- (e) a member of the accounting authority of any national or provincial public entity; or
- (f) an employee of Parliament or a provincial legislature.

=====

C E R T I F I C A T I O N

I, THE UNDERSIGNED (NAME)

CERTIFY THAT THE INFORMATION FURNISHED ON THIS DECLARATION FORM IS CORRECT.

I ACCEPT THAT THE STATE MAY ACT AGAINST ME SHOULD THIS DECLARATION PROVE TO BE FALSE.

.....

Signature

Date

.....

Position

Name of bidder

DECLARATION OF BIDDER'S PAST SUPPLY CHAIN MANAGEMENT PRACTICES

- 1 This Municipal Quotation Document must form part of all quotes invited.
- 2 It serves as a declaration to be used by municipalities and municipal entities in ensuring that when goods and services are being procured, all reasonable steps are taken to combat the abuse of the supply chain management system.
- 3 Any quote may be rejected if the supplier, or any of its directors have: -
 - a. abused the municipality's/municipal entity's supply chain management system or committed any improper conduct in relation to such system;
 - b. been convicted for fraud or corruption during the past five years;
 - c. willfully neglected, reneged on or failed to comply with any government, municipal or other public sector contract during the past five years; or
 - d. been listed in the Register for Bid Defaulters in terms of section 29 of the Prevention and Combating of Corrupt Activities Act (No 12 of 2004).
- 4 In order to give effect to the above, the following questionnaire must be completed and submitted with the quote: -

| Item | Question | Yes | No |
|-------|--|---------------------------------|--------------------------------|
| 4.1 | Is the bidder or any of its directors listed on the National Treasury's database as a company or person prohibited from doing business with the public sector? (Companies or persons who are listed on this database were informed in writing of this restriction by the National Treasury after the <i>audi alteram partem</i> rule was applied). | Yes <input type="checkbox"/> | No <input type="checkbox"/> |
| 4.1.1 | If so, furnish particulars: | | |
| 4.2 | Is the bidder or any of its directors listed on the Register for Tender Defaulters in terms of section 29 of the Prevention and Combating of Corrupt Activities Act (No 12 of 2004)? access this Register enter the National Treasury's website, www.treasury.gov.za, click on the icon "Register for Tender Defaulters" or submit your written request for a hard copy of the Register to facsimile number (012) 3265445). | Yes <input type="checkbox"/> | No <input type="checkbox"/> |
| 4.2.1 | If so, furnish particulars: | | |
| 4.3 | Was the bidder or any of its directors convicted by a court of law (including a court of law outside the Republic of South Africa) for fraud or corruption during the past five years? | Yes <input type="checkbox"/> | No <input type="checkbox"/> |
| 4.3.1 | If so, furnish particulars: | | |

| Item | Question | Yes | No |
|-------|--|---------------------------------|--------------------------------|
| 4.4 | Does the bidder or any of its directors owe any municipal rates and taxes or municipal charges to the municipality / municipal entity, or to any other municipality / municipal entity, that is in arrears for more than three months? | Yes <input type="checkbox"/> | No <input type="checkbox"/> |
| 4.4.1 | If so, furnish particulars: | | |
| 4.5 | Was any contract between the bidder and the municipality / municipal entity or any other organ of state terminated during the past five years on account of failure to perform on or comply with the contract? | Yes <input type="checkbox"/> | No <input type="checkbox"/> |
| 4.7.1 | If so, furnish particulars: | | |

CERTIFICATION

***I, THE UNDERSIGNED (FULL NAME)
CERTIFY THAT THE INFORMATION FURNISHED ON THIS DECLARATION FORM
IS TRUE AND CORRECT.***

***I ACCEPT THAT, IN ADDITION TO CANCELLATION OF A CONTRACT,
ACTION MAY BE TAKEN AGAINST ME SHOULD THIS DECLARATION PROVE
TO BE FALSE.***

.....
Signature

.....
Date

.....
Position

.....
Name of Bidder