



SOL PLAATJE LOCAL MUNICIPALITY

INVITATION FOR QUOTATIONS

Q054/2019/2020

REFURBISHMENT AND INSTALLATION AT RIETVALE PUMPSTATION 1

SUPPLIER: _____

PHYSICAL TRADING OFFICE ADDRESS: _____

TEL NO: _____ **CELL NO:** _____

FAX NO: _____ **EMAIL ADDRESS:** _____

Prepared for:- C. Marsh
Sol Plaatje Municipality
Private Bag X5030
KIMBERLEY
8300

Prepared by: - N. L. Songqishe

SCOA BUDGET VOTE NO: 28562323WWPCHZZWM

Compile Date: 13/03/2020

SCOA PRINT VOTE NO ...As Above

SOL PLAATJE LOCAL MUNICIPALITYINVITATION FOR QUOTATIONS

Directorate: Infrastructure Services
Contact person: C. Marsh
Date: 19/03/2020

Section: Workshop
Telephone: 053 8306809
Reference No. Q054/2019/2020

REFURBISHMENT AND INSTALLATION AT RIETVALE PUMPSTATION 1

*Documents are obtainable from:
SCU Contract Department, Abattoir Road, Stores Complex (Opposite Security),
Kimberley
Telephone: 053 8078482/3/9*

**INVITATION FOR QUOTATIONS FOR ORDERS
ABOVE R30 000 BUT LESS THAN R200 000**

**One complete set of documents is available to download from
<http://www.solplaatje.org.za> at no cost.**

**ANY QUOTE WILL NOT NECESSARILY BE ACCEPTED AND THE COUNCIL RESERVES
THE RIGHT TO ACCEPT THE WHOLE OR ANY PART OF ANY QUOTE**

**QUOTATIONS SUBMITTED WILL ONLY BE CONSIDERED IF THE BIDDER HAS BEEN APPROVED
ON THE CENTRAL SUPPLIER DATABASE (CSD) ON THE NATIONAL TREASURY'S WEBSITE
(www.csd.gov.za); COMPLETED AND SUBMITTED ALL DOCUMENTS AS PER LISTING
CRITERIA IN THE ATTACHED DOCUMENT AND
THE BIDDER COMPLIES WITH THE REQUIREMENTS OF THE ATTACHED MQD 2.**

GENERAL CONDITIONS

Quotations must be submitted using this official quotation form.

SOL PLAATJE LOCAL MUNICIPALITY INVITATION TO QUOTATION BID

PART A INVITATION TO QUOTATION BID

**THE FOLLOWING PARTICULARS MUST BE FURNISHED
(FAILURE TO DO SO MAY RESULT IN YOUR BID BEING DISQUALIFIED)**

YOU ARE HEREBY INVITED TO BID FOR REQUIREMENTS OF THE SOL PLAATJE MUNICIPALITY

BID NUMBER:	Q054/2019/2020	CLOSING DATE:	01/04/2020	CLOSING TIME:	11h00
DESCRIPTION	<u>REFURBISHMENT AND INSTALLATION AT RIETVALE PUMPSTATION 1</u>				
	<p>One complete set of document is available at http://www.etenders.gov.za or http://www.solplaatje.org.za at no cost.</p> <p>The services shall commence on the date of signing the contract, and for a period of 3 months / once off henceforth, with an option to extend as may be agreed upon by both parties upon expiry.</p> <p>One complete set of documents is available from SCU Contracts Department, Municipal Stores Complex Abattoir Road, Ashburnham, Kimberley, upon payment of an amount of R100-00 (One hundred rand), which is non-refundable.</p> <p>Payment must be made at the cashiers on a "NO 10 deposit slip" using the following mSCOA vote no 21 12 1 42 451 0 SG ZZZ ZZ WM</p>				
THE SUCCESSFUL BIDDER WILL BE REQUIRED TO FILL IN AND SIGN A WRITTEN CONTRACT - FORM (MBD7).					

BID RESPONSE DOCUMENTS MAY BE DEPOSITED IN THE BID BOX SITUATED AT

SOL PLAATJE MUNICIPALITY

SCU – CONTRACTS DEPARTMENT, MUNICIPAL STORES COMPLEX

ABATTOIR ROAD, ASHBURNHAM

KIMBERLEY

8301

SUPPLIER INFORMATION

NAME OF BIDDER

POSTAL ADDRESS

PHYSICAL
TRADING
ADDRESS

TELEPHONE
NUMBER

CODE

NUMBER

CELLPHONE
NUMBER

FACSIMILE NUMBER	CODE		NUMBER	
E-MAIL ADDRESS				
VAT REGISTRATION NUMBER				
TAX COMPLIANCE STATUS	TCS PIN:		AND	CSD No:
B-BBEE STATUS LEVEL VERIFICATION CERTIFICATE [TICK APPLICABLE BOX]	<input type="checkbox"/> Yes <input type="checkbox"/> No		B-BBEE STATUS LEVEL ORIGINAL SWORN AFFIDAVIT <input type="checkbox"/> Yes <input type="checkbox"/> No	

[A B-BBEE STATUS LEVEL VERIFICATION CERTIFICATE/ SWORN AFFIDAVIT (FOR EMES & QSEs) MUST BE SUBMITTED IN ORDER TO QUALIFY FOR PREFERENCE POINTS FOR B-BBEE]

1. In terms of section 2 (1) (d-f) of the PPPFA 2017 – The following Pre-Qualification criteria are applicable

BBBEE level 1 -4 status local shall be considered for this bid.

An Original B-BBEE Certificate accredited by SANAS or Certified Copy thereof OR

An original certified B-BBEE Sworn Affidavit for EME'S must be included in this bid document to qualify for relevant points claimed as per MBD 6.1 Certificate.

2. Companies or bidders bidding as a **Joint venture must include their consolidated**

- **Joint Venture Agreement**
- **Joint B-BBEE certificate**
- **MBD's 2, 4, 8 & 9 must** be completed respectively by both/all parties and submitted as part of the bid document

ARE YOU THE ACCREDITED REPRESENTATIVE IN SOUTH AFRICA FOR THE GOODS /SERVICES /WORKS OFFERED?	<input type="checkbox"/> Yes <input type="checkbox"/> No [IF YES ENCLOSE PROOF]	ARE YOU A FOREIGN BASED SUPPLIER FOR THE GOODS /SERVICES /WORKS OFFERED?	<input type="checkbox"/> Yes <input type="checkbox"/> No [IF YES, ANSWER PART B:3]
TOTAL NUMBER OF ITEMS OFFERED		TOTAL BID PRICE	R
SIGNATURE OF BIDDER	DATE	
CAPACITY UNDER WHICH THIS BID IS SIGNED			
SIGNATURE OF WITNESS NO 1 NAME PRINT		
SIGNATURE OF WITNESS NO 2 NAME PRINT		
BIDDING PROCEDURE ENQUIRIES MAY BE DIRECTED TO:		TECHNICAL INFORMATION MAY BE DIRECTED TO:	
DEPARTMENT	Infrastructural Services	Engineering	
CONTACT PERSON		C. Marsh	
TELEPHONE NUMBER		053-8306809	
FACSIMILE NUMBER			
E-MAIL ADDRESS		cmarsh@solplaatje.org.za	

**PART B
TERMS AND PRE-CONDITIONS FOR BIDDING**

VERY IMPORTANT NOTICE:

(1): NO QUOTATION BIDS WILL BE CONSIDERED FROM BIDDERS WHO HAS NOT BEEN APPROVED ON THE CENTRAL SUPLIERS DATABASE (CSD) ON THE NATIONAL TREASURY WEBSITE www.csd.gov.za

(2) NO QUOTATION BIDS WILL BE CONSIDERED WHO HAS NOT COMPLETED THE LISTING CRITERIA AND SUBMITTED THE REQUIRED DOCUMENTS PRESCRIBED IN THIS DOCUMENT

(3) NO QUOTATION BIDS WILL BE CONSIDERED FROM PERSONS IN THE SERVICE OF THE STATE (as defined in Regulation 1 of the Local Government: Municipal Supply Chain Management Regulations)

1. BID SUBMISSION:

1.1. Bids must be delivered by the stipulated time to the correct address. Late bids will not be accepted.

1.2 All bids must be submitted on the official forms provided – (may not be re-typed). Bidders who have purchased the bid documents from the Municipality MUST include the proof of such purchase by including a copy of the receipt with the original bid document.

1.3 Bids MUST be placed in a sealed envelope and properly marked as prescribed. It MUST be stated that such sealed envelope contains a bid and the description of the bid, the contract reference number, and addressed to the Municipal Manager.

1.4 Should a bidder fail to maintain this status after the contract is awarded; the Council may cancel this contract or make single or multiple deductions from any payment claims in terms of the contract to the amount equal to any outstanding amounts owed to the municipality. The bidder shall have no right whatsoever to claim damages resulting from such action.

1.5 **No correction tape or fluid** may be used on the tender document. Any errors made should be neatly crossed out and initialled by the bidder.

1.6 All prices must include value added tax, bid prices excluding value added tax may not be considered.

Please attach all annexures on the pages as indicated in the bid document

1.7 This bid is subject to the Preferential Procurement Policy Framework Act and the Preferential Procurement Regulations, 2017, the General Conditions of Contract (GCC) and, where applicable, any other legislation and special conditions of contract.

2. TAX COMPLIANCE REQUIREMENTS

2.1 Bidders must ensure compliance with their tax obligations. see MBD 2

Bidders are required to submit their unique personal identification number (pin) issued by SARS to enable Municipality to view the taxpayer's profile and tax status.

2.2 Application for the tax compliance status (TCS) pin may be made via e-filing through the SARS website www.sars.gov.za.

2.3 Foreign suppliers must complete the pre-award questionnaire in Part B Paragraph 5.

2.4 In bids where consortia / joint ventures / sub-contractors are involved, each party must submit a separate TCS certificate / pin / CSD number.

2.5 All Bidders must be **SARS COMPLIANT** on Central Suppliers Database (CSD) and **A CURRENT PROOF** of compliancy and a **TAX COMPLIANCE STATUS CERTIFICATE** must be submitted with the Tender document on closing date.

Bidders are required to submit their detailed CURRENT Central Suppliers Database (CSD)

registration report (NOT the summary report) together with the bid document.

3. MUNICIPAL RATES AND SERVICES STATUS: BIDDERS ARE REQUIRED TO CONFIRM THE STATUS OF THEIR MUNICIPAL RATES AND SERVICES ACCOUNTS BY MEANS OF INCLUDING IN THIS BID DOCUMENT

- 3.1. **A RECENT (60 DAY) MUNICIPAL ACCOUNT OF THE PHYSICAL TRADING OFFICE ADDRESS** of the bidder indicating that all accounts are in good standing; or, if the bidder is not liable for, and has no, municipal account, even outside the Frances Baard Municipal boundaries

YES NO

- 3.2 **A VALID LEASE AGREEMENT** clearly stating who is responsible for the municipal account and supported by documents indicating that all accounts are in good standing.

YES NO

- 3.3 **IF THE LESSEE PAY TO THE LOSSOR A RECENT (60 DAY) TAX INVOICE/ MUNICIPAL ACCOUNT** of the bidder indicating that all accounts are in good standing, or if the bidder is not liable for any municipal services, **the Lessor recent (60 day) municipal account must be attached**

YES NO

- 3.4 **NO CONFIRMATION LETTER / GENERAL AFFIDAVIT** of a lease agreement / Renting will be accepted;

YES NO

- 3.5 **A RECENT (60 DAY) MUNICIPAL ACCOUNTS MUST** also be submitted in cases where the owner/director of the business also acts as landlord of the business property and submitted a lease agreement also see listing criteria and MBD 6.1 in this bid document and

YES NO

- 3.6 Bidders who has failed to submit and prove that all relevant accounts are in good standing **WILL NOT BE CONSIDERED**, such confirmation and supporting documents **MUST NOT BE OLDER THAN 60 DAYS**.

One complete set of documents is available at <http://www.solplaatje.org.za> at no cost

4. COMPULSORY CLARIFICATION MEETINGS/ CIDB GRADINGS (IF APPLICABLE)

- 4.1 IS LOCAL CONTENT APPLICABLE TO THIS BID

YES NO

IF THE ANSWER IS "NO" TO ALL OF THE ABOVE, THEN IT IS NOT A REQUIREMENT TO THIS BID

4.2 A compulsory clarification meeting with representatives of the Employer will be held at the SCM Boardroom, Municipal Stores Complex, Kimberley on 26th March 2020 **starting at 11:00**. Those not present by 11:00 according to the facilitator's time will be excluded from the meeting. Doors open 15 minutes prior to the meeting and will close at the time as advertise 11h00.

- Service provider(s) who **do not attend** the compulsory briefing meeting/session **will be prohibited** from submitting proposals
- Confirmation of attendance will be recorded,
- **Bidders must be represented by a competent technical staff member / Senior Technical Official / Project Manager assigned to this project.**

5. QUESTIONNAIRE TO BIDDING FOREIGN SUPPLIERS

- 5.1 IS THE ENTITY A RESIDENT OF THE REPUBLIC OF SOUTH AFRICA (RSA)? YES NO
- 5.2 DOES THE ENTITY HAVE A BRANCH IN THE RSA? YES NO
- 5.3 DOES THE ENTITY HAVE A PERMANENT ESTABLISHMENT IN THE RSA? YES NO
- 5.4 DOES THE ENTITY HAVE ANY SOURCE OF INCOME IN THE RSA? YES NO
- 5.5 IS THE ENTITY LIABLE IN THE RSA FOR ANY FORM OF TAXATION? YES NO

IF THE ANSWER IS "NO" TO ALL OF THE ABOVE, THEN IT IS NOT A REQUIREMENT TO REGISTER FOR A TAX COMPLIANCE STATUS SYSTEM PIN CODE FROM THE SOUTH AFRICAN REVENUE SERVICE (SARS) AND IF NOT REGISTER AS PER 2.3 ABOVE.

IT WOULD BE APPRECIATED IF YOUR COMPANY COULD PROVIDE THIS OFFICE WITH A RETURNABLE ADDRESS ON THE BACK OF THE ENVELOPES

YES NO

In terms of section 13 of the Municipal Supply Chain Management Regulations No. 27636 of 30 May 2005, the Municipal Manager shall reject all bids that do not comply with the following preconditions:

1. Bidders that have not furnished the Municipality with his/her full names, identification number or company or other registration number and tax reference number and vat registration number, if any.
2. Bidders that have not submitted a valid tax clearance certificate from SARS or provided their tax compliance status pin number
3. Bidders that have not indicated: -
 - a. Whether he/she is in the service of the state or has been in the service of the state in the previous twelve months;
 - b. If the bidder is not a natural person, whether any of its directors, managers, principal shareholders or stakeholder is in the service of the state or has been in the service of the state in the previous twelve months, or
 - c. Whether a spouse, child or parent of the bidder or of a director, manager, shareholders or stakeholder in the previous twelve months.
4. Any special conditions as contained in the bid documents.

Bidders scoring the highest points or any bid will not necessarily be accepted, and the Municipality reserves the right to Sub-divide the contract and accept any portion of any bid, or determine a multiple award.

Bids will be evaluated in terms of the approved point system **80/20** of Sol Plaatje Municipality as detailed in Preference Points form MBD 6 enclosed in Bid document. The Tender validity period should be for **30 days**.

NO BIDS BY FAX OR BY E-MAIL WILL BE ACCEPTED. Sealed bids outwardly marked with the relevant

contract number

CONTRACT: Q054/2019/2020 - REFURBISHMENT AND INSTALLATION AT RIETVALE PUMPSTATION 1 must be addressed to the Municipal Manager and placed in the **TENDER BOX (OPPOSITE SECURITY), MUNICIPAL STORES COMPLEX, ABATTOIR ROAD, ASHBURNHAM, Kimberley, not later than 11:00 on 01st April 2020.**

Bids will be opened in public in the SCU BOARDROOM, STORES COMPLEX, ABATTOIR ROAD, Kimberley, immediately after closing on the same day at 12am.

INVITATION FROM: MUNICIPAL MANAGER

CIVIC OFFICES, SOL PLAATJE DRIVE

PRIVATE BAG X5030,

KIMBERLEY, 8300

NB: FAILURE TO PROVIDE ANY OF THE ABOVE PARTICULARS MAY RENDER THE BID INVALID.

SIGNATURE OF BIDDER:

CAPACITY UNDER WHICH THIS BID IS SIGNED:

DATE:

NAME OF BIDDER _____

AUTHORISED BY THE BIDDER: PRINT NAME _____

SIGNATURE _____

NAME OF COMPANY: _____

POSTAL ADDRESS: _____

TELEPHONE NO. _____ FAX NO. _____

E-MAIL ADDRESS _____

Certificate of Attendance of Clarification Meeting on Site (if applicable)

NOTE: If the attendance register was signed at the clarification meeting held at the SCM Boardroom, the name of the signatory shall be inserted on this page and the a authorized signatory shall sign this page.

<p><i>If attendance register has been signed at the clarification meeting:</i></p>
<p>Name of person appearing on attendance register:</p> <p>Representative organization name on attendance register:</p>
<p><i>If the attendance register has not been signed at the clarification meeting.</i></p>
<p>This is to certify that I,, representative of (Tenderer) of (address) telephone number fax number e-mail attended the bid clarification meeting (date) in the company of (Employer's Line Manager / Engineer's representative) EMPLOYER'S LINE MANAGER / ENGINEER'S REPRESENTATIVE:</p>

TAX CLEARANCE CERTIFICATE REQUIREMENT

It is a condition of bid that the taxes of the successful bidder must be in order, or that satisfactory arrangements have been made with South African Revenue Service (SARS) to meet the bidder's tax obligations. Bids will not be considered if these requirements are not met.

1. Previously a taxpayer (bidder) was required to submit a valid, original paper Tax Clearance Certificate (TCC), the tax payer/ bidder **MUST** now submit TAX COMPLIANCE STATUS PIN NO. Bids **WILL NOT be considered** if the correct PIN NO and Tax Reference Number are not included in this document
2. Applications for the Tax Clearance Certificates **MUST be made via eFiling**. In order to use this provision, taxpayers will need to register with SARS as eFilers through the website www.sars.gov.za or contact the SARS Contact Centre on 0800007277
3. The bidder (Name) Hereby grants Sol Plaatje Local Municipality
Permission to use the following TAX COMPLIANCE STATUS PIN NO
With reference to the following Tax reference Number.....
4. The bidder (Name) Hereby further grants SARS permission to disclose the bidders TAX COMPLIANCE STATUS to Sol Plaatje Local Municipality on an on-going basis during the Contract Term.
5. A bidder who appoints a Sub-Contractor / Joint Venture / Consortia to execute a portion of a contract (Sub-Contractor in excess of National Treasury threshold) must ensure that each appointment is TAX COMPLIANT and remains TAX COMPLIANT for the duration of the contract. Successful bidders must provide Sol Plaatje Local Municipality authority from their appointments confirming that SARS may, on an on-going basis during the contract term, disclose the appointed Sub-Contractor / Joint Venture / Consortia TAX COMPLIANCE STATUS.
6. A bidder who acts on behalf of an undisclosed principal must disclose such a fact upon submission of a bid as well as identity of that principal. The TAX COMPLIANCE STATUS of that principle must be verified in the same manner as that of the bidder. The same principle applies mutatis mutandis to any Sub-Contractor / Joint Venture / Consortia appointed by a successful bidder to execute a portion of a contract.
7. The TAX COMPLIANCE STATUS of all parties must be disclosed and verified if the bidder consists of a partnership and
8. A bidder, who is not resident in the Republic of South Africa, must apply for TAX CLEARANCE at SARS.


SIGNATURE OF BIDDER DATE:

CAPACITY UNDER WHICH THIS BID IS SIGNED:.....

WITNESS 1 DATE:

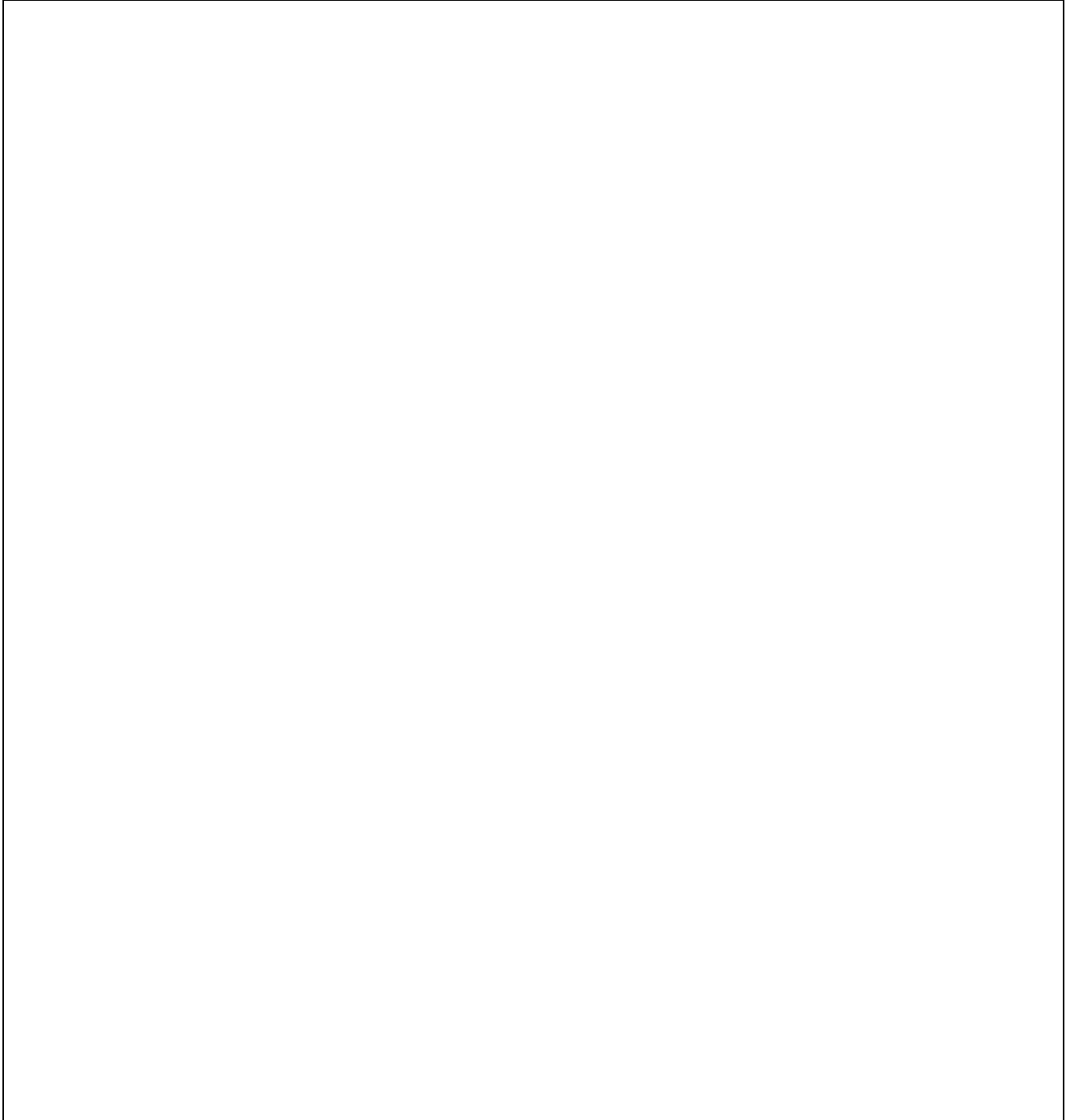
WITNESS 2 DATE:

NB. To avoid disqualification this page (MBD2) must be fully completed and signed by two witnesses.

 Sol Plaatje Municipality		SOL PLAATJE MUNICIPALITY, KIMBERLEY **MANDATORY** LISTING CRITERIA		
CENTRAL SUPPLIER DATABASE REGISTRATION NUMBER (CSD): _____				
1	Company name			
2	Contact details	Telephone Number: _____	Fax Number: _____	Cell phone number: _____
	Email address Contact person:	_____ _____		
3	Postal Address:			
4	VAT registered	Yes <input type="checkbox"/>	No <input type="checkbox"/>	If registered, VAT Registration No: _____
5	Settlement discount allowed	_____ %	For payment within	_____ days
6	Bank account details	Account No.:		Branch No.:
	Bank Name	_____		
	Branch Name	_____		
	Bank account type	_____		
7	Business Municipal Rates and Service Account Number: ** A current (30 days) account, or Lease Agreement in the case of a Landlord responsible for account, must be attached to this document **		_____	
8	Located in Sol Plaatje Municipal Area		Yes <input type="checkbox"/>	No <input type="checkbox"/>
9	% owned by black male: _____%		% owned by black female: _____%	
	% owned by black youth: _____%		% owned by white female: _____%	
	% owned by disabled persons: _____%			
10	B-BBEE status level of contribution:			
11	Indicate main sector. Please select one (1) only: Agriculture <input type="checkbox"/> ; Mining and Quarrying <input type="checkbox"/> ; Manufacturing <input type="checkbox"/> ; Electricity, Gas, Water <input type="checkbox"/> ; Construction <input type="checkbox"/> ; Retail & Motor Trade & Repairs <input type="checkbox"/> ; Wholesale Trade, Commercial Agents and Allied Services <input type="checkbox"/> ; Catering & Accommodation & other Trade <input type="checkbox"/> ; Transport, Storage & Communications <input type="checkbox"/> ; Finance and Business Services <input type="checkbox"/> ; Community, Social and Personal Services <input type="checkbox"/>			
12	Amount full time employed staff: _____	Annual Turnover: R _____		Asset Value (Excluding fixed property) R _____
	13 It is the responsibility of the Supplier/Bidder to inform Sol Plaatje Municipality of any changes during the contract period			
	NAME (PRINT) _____ SIGNATURE: _____			
	CAPACITY: _____			
	WITNESS (NAME): _____ SIGNATURE: _____			

DATE: _____

**ATTACH PROOF OF CSD DATABAS REGISTRATION
HERE**

A large, empty rectangular box with a thin black border, intended for the user to attach proof of CSD database registration. The box occupies most of the lower half of the page.

**ATTACH THE RECENT MUNICIPAL ACCOUNT OR
AGREEMENTS AS PER GENERAL CONDITIONS NO: 2 (MQD 1)**

A large, empty rectangular box with a thin black border, occupying the majority of the page below the text. It is intended for the user to attach the required documents.

SOL PLAATJE LOCAL MUNICIPALITY**Q054/2019/2020 - REFURBISHMENT AND INSTALLATION AT RIETVALE
PUMPSTATION 1****SPECIFICATIONS AND PRICE SCHEDULE****PRICE SCHEDULE AND SPECIFICATIONS AND SPECIAL CONDITIONS****PLEASE NOTE:**

NB. PRICES MUST HOLD GOOD FOR AT LEAST 1 MONTH (30 days) AS FROM CLOSING DATE

THIS BID WILL NOT BE CONSIDERED IF THIS PAGE IS NOT FULLY COMPLETED.

PRICES ALTERED BY MEANS OF CORRECTION FLUID WILL NOT BE CONSIDERED

THE QUOTE WILL BE EVALUATED ON THE TOTAL PRICE AND NOT PER LINE ITEM

ANY QUOTE WILL NOT NECESSARILY BE ACCEPTED AND THE COUNCIL

RESERVES THE RIGHT TO ACCEPT THE WHOLE OR ANY PART OF THE QUOTE

Suppliers are to adhere strictly to the specifications given. Non-adherence to the specifications will result in the quotation not being considered.

PLEASE NOTE: ANY QUOTE WILL NOT NECESSARILY BE ACCEPTED AND THE COUNCIL RESERVES THE RIGHT TO ACCEPT THE WHOLE OR ANY PART OF THE QUOTE.

PLEASE ALSO NOTE THE QUOTE WILL BE EVALUATED ON THE TOTAL PRICE AND NOT PER LINE ITEM.

SPECIFICATIONS AND SPECIAL CONDITIONS:

Refurbish and Install at Rietvale Pumpstation: 1 only 30Kw Flygt pumps MODEL: NP 3202.180HT (456) 30KW 400v with cooling jackets.

SCOPE AND GENERAL REQUIREMENTS

SCOPE OF SPECIFICATION

Installation To Comply With attached Specification

Installation To Comply With The Particular Specification &
Drawings

SPECIFICATIONS:

Please find spec sheet attached

IN CASE OF CONFLICT

In the case of conflict between the technical requirements of this General Specification and any other requirements, the following order of preference shall apply:

- (a) The Particular Specification and/or the Drawings of specified work involved.
- (b) This General Specification.

Special Conditions:

(1) References of similar projects done to be submitted with quote.

(2) Mandatory Site Inspection: Commencing at Supply Chains boardroom and progressing to Mechanical Workshop; Date to be provided by Supply Chain, when web quote is finalised.



N 3202

Product

Submersible pump for pumping clean water, surface water and waste water containing solids or long-fibred material.

Denomination

Product code	3202.180
	(High chromium) 3202.185
Installation	P, S, T, Z
Impeller characteristics	LT, MT, HT

Process data

Liquid temperature-standard	max +40 °C
Depth of immersion	max 20 m
The pH of the pumped liquid	5,5 -14
Liquid density	max. 1100 kg/m ³

Motor data

Frequency	50 Hz
Insulation class	H (+180 °C)
Voltage variation	
- continuously running	max ± 5%
- intermittent running	max ± 10%
Voltage imbalance between phases	max 2%
No. of starts/hour	max 30

Cable

Direct-on-line start SUBCAB®

4G4+2x1,5 mm2
4G6+2x1,5 mm2
4G10+2x1,5 mm2
4G16+2x1,5 mm2
4G25+2x1,5 mm2

Y/D start SUBCAB®

4G35+2x1,5 mm2
7G2,5+2x1,5 mm2
7G4+2x1,5 mm2
7G6+2x1,5 mm2

Monitoring equipment

Thermal contacts opening temp.	140 °C
Leakage sensor in inspection chamber	FLS

Material

Impeller (.180)	Cast iron
Impeller (.185)	High chromium cast iron
Pump housing	Cast iron
Stator housing	Cast iron
Shaft	Stainless steel

O-rings

Alternative	Material
1	Nitrile rubber
2	Fluorinated rubber

Mechanical face seals

Alternative	Inner seal	Outer seal
1	Corrosion resistant cemented carbide/ Corrosion resistant cemented carbide	Corrosion resistant cemented carbide/ Corrosion resistant cemented carbide
2	Corrosion resistant cemented carbide/ Corrosion resistant cemented carbide	Silicon carbide/Silicon carbide

Surface Treatment

All cast parts are primed with a water-borne primer. The finishing coat is a high-solid two pack paint.

Weight

See dimensional drawing.

Option

3202.090	Ex. proof design
3202.095	(High chromium) Ex. proof design
Warm liquid version on request	
Other cables	

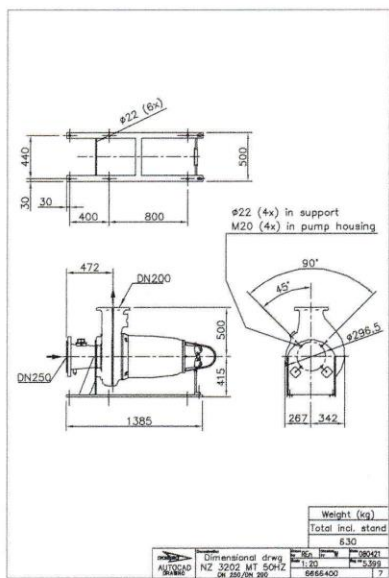
Accessories

Discharge connections, adapters, hose connections and other mechanical accessories.

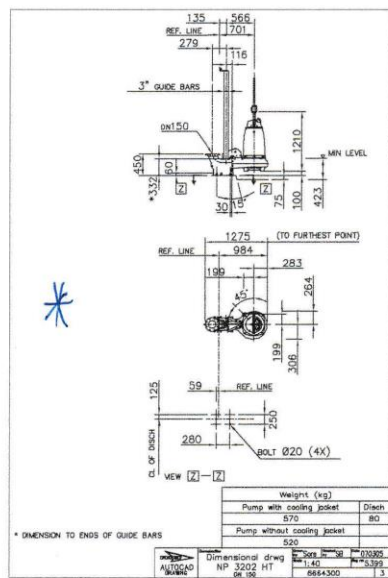
Electrical accessories such as pump controller, control panels, starters, monitoring relays, cables.

See separate booklet or www.ittwww.com, for further information.

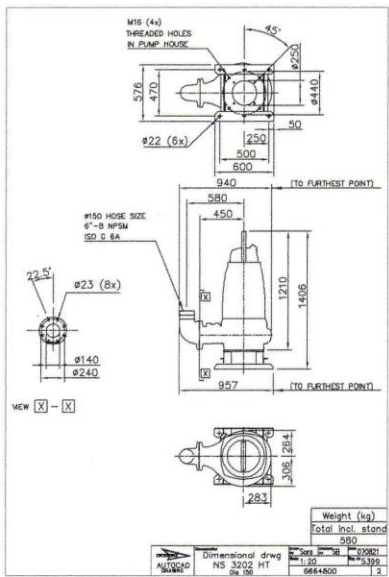
MT, Z-installation



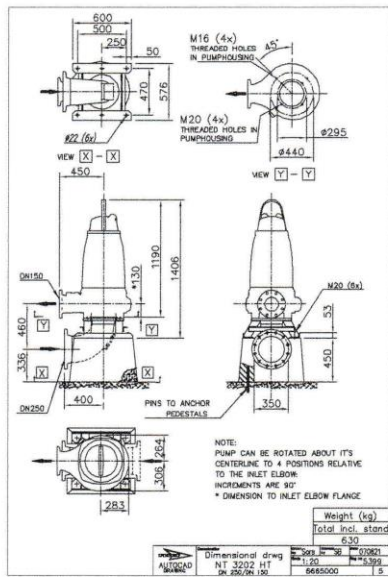
HT, P-installation



HT, S-installation



HT, T-installation



PRICING SCHEDULE

Item	Description	Quantity	Price VAT inclusive
1	Refurbish and install 1 X 30Kw Flygt pumps Model:NP3202.180ht (456) 30 Kw 400v with cooling jackets	1	R

SPECIAL CONDITIONS

Bids MUST comply with the following Special conditions of Contract where applicable

- **Period required for delivery by Line Manager**

- _____ days

- **Completion of Project by Line Manager**

- _____ weeks

- Does the offer comply with the specification(s)? *YES/NO

- Delivery basis *YES/NO

- Settlement Discount Allowed

- _____ % 30 days

- _____ % 15 days

- Value added Tax as well as Delivery Costs to the Municipal Stores must be included in ALL PRICES

- **THESE BID PRICES MUST HOLD GOOD 30 DAYS AS FROM CLOSING DATE**
- **THE BIDDER WILL BE HELD LIABLE FOR ANY DAMAGES CAUSED DURING INSTALLATION / COMPLETION OF PROJECT.**

BIDDER SIGNATURE

DATE:

No	Description	Signature	Date
1	Specifications and Special Conditions submitted by line manager		
	Quotation Document: Prepared by Demand Manager		
	Verified by SC Manager		
	Agreed by Line Manager		x
2	Pre-Qualification Criteria as per supporting Documents From Demand Manager		
	Agreed by: Line / Project Manager		x
	Approved for Advertising by SC Manager		

DECLARATION OF INTEREST

BIDDERS WHO FAIL TO DECLARE ACCURATELY AND HONESTLY SHALL BE DISQUALIFIED AND THEIR NAMES AND COMPANY DETAILS WILL BE SUBMITTED TO NATIONAL TREASURY AND PROVINCIAL TREASURY TO BE BLACK LISTED. SHOULD YOUR INTEREST BE DISCOVERED AFTER THE AWARD OF THE CONTRACT THE MUNICIPALITY SHALL TERMINATE YOUR CONTRACT ON THE BASIS OF THE ABOVE.

1. No bid will be accepted from persons in the service of the State. (Employed by the State)
2. Any person, having a kinship with persons in the service of the State (Employed by the State), including a blood relationship, may make an offer or offers in terms of this invitation to bid. In view of possible allegations of favouritism, should the resulting bid, or part thereof, be awarded to persons connected with or related to persons in service of the state, it is required that the bidder or their authorised representative declare their position in relation to the evaluating/adjudicating authority.

3. In order to give effect to the above, the following questionnaire must be completed and submitted with the bid.

3.1 Full Name of bidder or his or her representative:.....

3.2 Identity Number:

3.3 Position occupied in the Company (director, trustee, hareholder²):.....

3.4 Company Registration Number:

3.5 Tax Reference Number:.....

3.6 VAT Registration Number:

3.7 The names of all directors / trustees / shareholders members, their individual identity numbers and state employee numbers must be indicated in paragraph 4 below.

3.8 Are you presently in the service of the State? (Employed by the State)? **YES / NO**

3.8.1 If yes, furnish particulars.

MSCM Regulations: "in the service of the State" means to be –

- (a) a member of –
 - (i) any municipal council;
 - (ii) any provincial legislature; or
- (iii) the national Assembly or the national Council of provinces;
- (b) a member of the board of directors of any municipal entity;

- (c) an official of any municipality or municipal entity;
- (d) an employee of any national or provincial department, national or provincial public entity or constitutional institution within the meaning of the Public Finance Management Act, 1999 (Act No.1 of 1999);
- (e) a member of the accounting authority of any national or provincial public entity; or
- (f) an employee of Parliament or a provincial legislature.

“Shareholder” means a person who owns shares in the company and is actively involved in the management of the company or business and exercises control over the company.

3.9 Have you been in the service of the State (employed by the State) for the past twelve months? **YES / NO**

3.9.1 If yes, furnish particulars.....

3.10 Do you have any relationship (family, friend, other) with persons in the service of the State (employed by the State) and who may be involved with the evaluation and or adjudication of this bid? **YES / NO**

3.10.1 If yes, furnish particulars.

.....

3.11 Are you, aware of any relationship (family, friend, other) between any other bidder and any persons in the service of the State (employed by the State) who may be involved with the evaluation and or adjudication of this bid? **YES / NO**

3.11.1 If yes, furnish particulars

.....

3.12 Are any of the company’s directors, trustees, managers, principle shareholders or stakeholders in the service of the State (employed by the State)? **YES / NO**

3.12.1 If yes, furnish particulars.

.....

3.13 Are any spouse, child or parent of the company’s directors trustees, managers, principle shareholders or stakeholders in the service of the State (employed by the State) **YES / NO**

3.13.1 If yes, furnish particulars

.....

3.14 Do you or any of the directors, trustees, managers, principle shareholders, or stakeholders of this company

have any interest in any other related companies or business whether or not they are bidding for this contract.

YES / NO

3.14.1 If yes, furnish particulars:

.....

4. Full details of directors / trustees / members / shareholders.

Full Name	Identity Number	State Employee Number

DECLARATION

I, THE UNDERSIGNED
 (NAME).....

CERTIFY THAT THE INFORMATION FURNISHED IN PARAGRAPHS 2 and 3 ABOVE IS CORRECT.

I ACCEPT THAT THE STATE MAY REJECT THE BID OR ACT AGAINST ME IN TERMS OF PARAGRAPH 23 OF THE GENERAL CONDITIONS OF CONTRACT SHOULD THIS DECLARATION PROVE TO BE FALSE.

.....
Signature

.....
Date

.....
Position

.....
(Print) Name of bidder

FAILURE TO SIGN THE DOCUMENT WILL LEAD TO DISQUALIFICATION

MBD 4 TO BE REVIEWED ANNUALLY BY BIDDER ON SOL PLAATJE MUNICIPALITY DATABASE

MQD 6.1**PREFERENCE POINTS CLAIM FORM IN TERMS OF THE
PREFERENTIAL PROCUREMENT REGULATIONS 2017****PURCHASES**

This preference form must form part of all bids invited. It contains general information and serves as a claim form for preference points for Broad-Based Black Economic Empowerment (B-BBEE) Status Level of Contribution

NB: BEFORE COMPLETING THIS FORM, BIDDERS MUST STUDY THE GENERAL CONDITIONS, DEFINITIONS AND DIRECTIVES APPLICABLE IN RESPECT OF B-BBEE, AS PRESCRIBED IN THE PREFERENTIAL PROCUREMENT REGULATIONS, 2017.

1. GENERAL CONDITIONS

1.1 The following preference point systems are applicable to all bids:

- the 80/20 system for requirements with a Rand value of up to R50 000 000 (all applicable taxes included); and
- the 90/10 system for requirements with a Rand value above R50 000 000 (all applicable taxes included).

1.2 The value of this bid is estimated to exceed/not exceed R50 000 000 (all applicable taxes included) and therefore the..... preference point system shall be applicable.

1.3 Preference points for this bid shall be awarded for:

- (a) Price; and
- (b) B-BBEE Status Level of Contribution.

1.4 The maximum points for this bid are allocated as follows:

	POINTS
PRICE	80
B-BBEE STATUS LEVEL OF CONTRIBUTION	20
Total points for Price and B-BBEE must not exceed	100

1.5 Failure on the part of a bidder to submit a B-BBEE Verification Certificate from a Verification Agency accredited by the South African Accreditation System (SANAS), or a Registered Auditor approved by the Independent Regulatory Board of Auditors (IRBA) or a sworn affidavit confirming annual turnover and level of black ownership in case of an EME and QSE together with the bid, will be interpreted to mean that preference points for B-BBEE status level of contribution are not claimed.

1.6 The purchaser reserves the right to require of a bidder, either before a bid is adjudicated or at any time subsequently, to substantiate any claim in regard to preferences, in any manner

required by the purchaser.

2. DEFINITIONS

- (a) **“all applicable taxes”** includes value-added tax, pay as you earn, income tax, unemployment insurance fund contributions and skills development levies;
- (b) **“B-BBEE”** means broad-based black economic empowerment as defined in section 1 of the Broad-Based Black Economic Empowerment Act;
- (c) **“B-BBEE status level of contributor”** means the B-BBEE status received by a measured entity based on its overall performance using the relevant scorecard contained in the Codes of Good Practice on Black Economic Empowerment, issued in terms of section 9(1) of the Broad-Based Black Economic Empowerment Act;
- (d) **“bid”** means a written offer in a prescribed or stipulated form in response to an invitation by an organ of state for the provision of services, works or goods, through price quotations, advertised competitive bidding processes or proposals;
- (e) **“Broad-Based Black Economic Empowerment Act”** means the Broad-Based Black Economic Empowerment Act, 2003 (Act No. 53 of 2003) as amended by Act No 46 of 2013;
- (f) **“comparative price”** means the price after the factors of a non-firm price and all unconditional discounts that can be utilized have been taken into consideration;
- (g) **“consortium or joint venture”** means an association of persons for the purpose of combining their expertise, property, capital, efforts, skill and knowledge in an activity for the execution of a contract;
- (h) **“contract”** means the agreement that results from the acceptance of a bid by an organ of state;
- (i) **“EME”** means an Exempted Micro Enterprise as defines by Codes of Good Practice issued in terms of section 9 (1) of the Broad-Based Black Economic Empowerment Act, 2003 (Act No. 53 of 2003);
- (j) **“Firm price”** means the price that is only subject to adjustments in accordance with the actual increase or decrease resulting from the change, imposition, or abolition of customs or excise duty and any other duty, levy, or tax, which, in terms of the law or regulation, is binding on the contractor and demonstrably has an influence on the price of any supplies, or the rendering costs of any service, for the execution of the contract;
- (k) **“functionality”** means the measurement according to predetermined norms, as set out in the bid documents, of a service or commodity that is designed to be practical and useful, working or operating, taking into account, among other factors, the quality, reliability, viability and durability of a service and the technical capacity and ability of a bidder;
- (l) **“non-firm prices”** means all prices other than “firm” prices;
- (m) **“person”** includes a juristic person;
- (n) **“QSE”** means a Qualifying Small Enterprise as defines by Codes of Good Practice issued in terms of section 9 (1) of the Broad-Based Black Economic Empowerment Act, 2003 (Act No. 53 of 2003);
- (o) **“rand value”** means the total estimated value of a contract in South African currency, calculated at the time of bid invitations, and includes all applicable taxes and excise duties;

- (p) **“sub-contract”** means the primary contractor’s assigning, leasing, making out work to, or employing, another person to support such primary contractor in the execution of part of a project in terms of the contract;
- (q) **“total revenue”** bears the same meaning assigned to this expression in the Codes of Good Practice on Black Economic Empowerment, issued in terms of section 9(1) of the Broad-Based Black Economic Empowerment Act and promulgated in the *Government Gazette* on 9 February 2007;
- (r) **“trust”** means the arrangement through which the property of one person is made over or bequeathed to a trustee to administer such property for the benefit of another person; and
- (s) **“trustee”** means any person, including the founder of a trust, to whom property is bequeathed in order for such property to be administered for the benefit of another person.

3. ADJUDICATION USING A POINT SYSTEM

- 3.1 The bidder obtaining the highest number of total points will be awarded the contract.
- 3.2 Preference points shall be calculated after prices have been brought to a comparative basis taking into account all factors of non-firm prices and all unconditional discounts.
- 3.3 Points scored must be rounded off to the nearest 2 decimal places.
- 3.4 In the event that two or more bids have scored equal total points, the successful bid must be the one scoring the highest number of preference points for B-BBEE.
- 3.5 However, when functionality is part of the evaluation process and two or more bids have scored equal points including equal preference points for B-BBEE, the successful bid must be the one scoring the highest score for functionality.
- 3.6 Should two or more bids be equal in all respects, the award shall be decided by the drawing of lots.

4. POINTS AWARDED FOR PRICE

4.1 THE 80/20 OR 90/10 PREFERENCE POINT SYSTEMS

A maximum of 80 is allocated for price on the following basis:

80/20

$$P_s = 80 \left(1 - \frac{P_t - P_{\min}}{P_{\min}} \right)$$

Where

P_s = Points scored for comparative price of bid under consideration

P_t = Comparative price of bid under consideration

P_{min} = Comparative price of lowest acceptable bid

5. POINTS AWARDED FOR B-BBEE STATUS LEVEL OF CONTRIBUTION

- 5.1 In terms of Regulation 5 (2) and 6 (2) of the Preferential Procurement Regulations, preference points must be awarded to a bidder for attaining the B-BBEE status level of contribution in accordance with the table below:

B-BBEE Status Level of Contributor	Number of points (80/20 system)
1	20
2	18
3	14
4	12
5	8
6	6
7	4
8	2
Non-compliant contributor	0

- 5.2 A bidder who qualifies as an EME in terms of the B-BBEE Act must submit a sworn affidavit confirming Annual Total Revenue and Level of Black Ownership.
- 5.3 A Bidder other than EME or QSE must submit their original and valid B-BBEE status level verification certificate or a certified copy thereof, substantiating their B-BBEE rating issued by a Registered Auditor approved by IRBA or a Verification Agency accredited by SANAS.
- 5.4 A trust, consortium or joint venture, will qualify for points for their B-BBEE status level as a legal entity, provided that the entity submits their B-BBEE status level certificate.
- 5.5 A trust, consortium or joint venture will qualify for points for their B-BBEE status level as an unincorporated entity, provided that the entity submits their consolidated B-BBEE scorecard as if they were a group structure and that such a consolidated B-BBEE scorecard is prepared for every separate bid.
- 5.6 Tertiary Institutions and Public Entities will be required to submit their B-BBEE status level certificates in terms of the specialized scorecard contained in the B-BBEE Codes of Good Practice.
- 5.7 A person will not be awarded points for B-BBEE status level if it is indicated in the bid documents that such a bidder intends sub-contracting more than 25% of the value of the contract to any other enterprise that does not qualify for at least the points that such a bidder qualifies for, unless the intended sub-contractor is an EME that has the capability and ability to execute the sub-contract.
- 5.8 A person awarded a contract may not sub-contract more than 25% of the value of the contract to any other enterprise that does not have an equal or higher B-BBEE status level than the person concerned, unless the contract is sub-contracted to an EME that has the capability and ability to execute the sub-contract.

6. BID DECLARATION

- 6.1 Bidders who claim points in respect of B-BBEE Status Level of Contribution must complete the following:

7. B-BBEE STATUS LEVEL OF CONTRIBUTION CLAIMED IN TERMS OF PARAGRAPHS 1.4 AND 5.1

7.1 B-BBEE Status Level of Contribution: = (maximum 20 points)

(Points claimed in respect of paragraph 7.1 must be in accordance with the table reflected in paragraph 5.1 and must be substantiated by means of a B-BBEE certificate issued by a Verification Agency accredited by SANAS or a Registered Auditor approved by IRBA or a sworn affidavit.

8. SUB-CONTRACTING

8.1 Will any portion of the contract be sub-contracted?

(Tick applicable box)

YES		NO	
-----	--	----	--

8.1.1 If yes, indicate:

- i) What percentage of the contract will be subcontracted.....%
- ii) The name of the sub-contractor.....
- iii) The B-BBEE status level of the sub-contractor.....
- iv) Whether the sub-contractor is an EME.

(Tick applicable box)

YES		NO	
-----	--	----	--

9. DECLARATION WITH REGARD TO COMPANY/FIRM

9.1 Name of company/firm:.....

9.2 VAT registration number:.....

9.3 Company registration number:.....

9.4 TYPE OF COMPANY/ FIRM

- Partnership/Joint Venture / Consortium
- One person business/sole propriety
- Close corporation
- Company
- (Pty) Limited

[TICK APPLICABLE BOX]

9.5 DESCRIBE PRINCIPAL BUSINESS ACTIVITIES

.....

.....

.....

.....

9.6 COMPANY CLASSIFICATION

- Manufacturer
- Supplier
- Professional service provider
- Other service providers, e.g. transporter, etc.

[TICK APPLICABLE BOX]

9.7 MUNICIPAL INFORMATION

Municipality where business is situated:

Registered Account Number:

Stand Number:.....

9.8 Total number of years the company/firm has been in business:.....

9.9 I/we, the undersigned, who is / are duly authorised to do so on behalf of the company/firm, certify that the points claimed, based on the B-BBE status level of contribution indicated in paragraph 7 of the foregoing certificate, qualifies the company/ firm for the preference(s) shown and I / we acknowledge that:

- i) The information furnished is true and correct;
- ii) The preference points claimed are in accordance with the General Conditions as indicated in paragraph 1 of this form;
- iii) In the event of a contract being awarded as a result of points claimed as shown in paragraph 7, the contractor may be required to furnish documentary proof to the satisfaction of the purchaser that the claims are correct;
- iv) If the B-BBEE status level of contribution has been claimed or obtained on a fraudulent basis or any of the conditions of contract have not been fulfilled, the purchaser may, in addition to any other remedy it may have –
 - (a) disqualify the person from the bidding process;
 - (b) recover costs, losses or damages it has incurred or suffered as a result of that person's conduct;
 - (c) cancel the contract and claim any damages which it has suffered as a result of having to make less favourable arrangements due to such cancellation;
 - (d) restrict the bidder or contractor, its shareholders and directors, or only the shareholders and directors who acted on a fraudulent basis, from obtaining business from any organ of state for a period not exceeding 10 years, after the *audi alteram partem* (hear the other side) rule has been applied; and
 - (e) forward the matter for criminal prosecution.

N.B.:- THIS FORM MUST BE SIGNED BY THE BIDDER AND TWO WITNESSES (FAILURE TO COMPLY TO THIS WILL LEAD TO DISQUALIFICATION)

SIGNATURE: _____

NAME: (PRINT) _____

DULY AUTHORISED TO SIGN ON BEHALF OF _____

ADDRESS _____

TELEPHONE NO. _____

DATE _____

WITNESS (1) _____ NAME (PRINT) _____

WITNESS (2) _____ NAME (PRINT) _____

ATTACH CERTIFIED COPY OF B-BBEE CERTIFICATE HERE

MQD 8

DECLARATION OF BIDDER'S PAST SUPPLY CHAIN MANAGEMENT PRACTICES

- 1 This Municipal Bidding Document must form part of all bids invited.
- 2 It serves as a declaration to be used by municipalities and municipal entities in ensuring that when goods and services are being procured, all reasonable steps are taken to combat the abuse of the supply chain management system.
- 3 The bid of any bidder may be rejected if that bidder, or any of its directors have:
 - a. abused the municipality's / municipal entity's supply chain management system or committed any improper conduct in relation to such system;
 - b. been convicted for fraud or corruption during the past five years;
 - c. willfully neglected, reneged on or failed to comply with any government, municipal or other public sector contract during the past five years; or
 - d. been listed in the Register for Tender Defaulters in terms of section 29 of the Prevention and Combating of Corrupt Activities Act (No 12 of 2004).
- 4 **In order to give effect to the above, the following questionnaire must be completed and submitted with the bid.**

Item	Question	Yes	No
4.1	<p>Is the bidder or any of its directors listed on the National Treasury's Database of Restricted Suppliers as companies or persons prohibited from doing business with the public sector? (Companies or persons who are listed on this Database were informed in writing of this restriction by the Accounting Officer/Authority of the institution that imposed the restriction after the <i>audi alteram partem</i> rule was applied).</p> <p>The Database of Restricted Suppliers now resides on the National Treasury's website(www.treasury.gov.za) and can be accessed by clicking on its link at the bottom of the home page.</p>	Yes <input type="checkbox"/>	No <input type="checkbox"/>

4.1.1	If so, furnish particulars:		
4.2	Is the bidder or any of its directors listed on the Register for Tender Defaulters in terms of section 29 of the Prevention and Combating of Corrupt Activities Act (No 12 of 2004)? The Register for Tender Defaulters can be accessed on the National Treasury's website (www.treasury.gov.za) by clicking on its link at the bottom of the home page.	Yes <input type="checkbox"/>	No <input type="checkbox"/>
4.2.1	If so, furnish particulars:		
4.3	Was the bidder or any of its directors convicted by a court of law (including a court of law outside the Republic of South Africa) for fraud or corruption during the past five years?	Yes <input type="checkbox"/>	No <input type="checkbox"/>
4.3.1	If so, furnish particulars:		
Item	Question	Yes	No
4.4	Does the bidder or any of its directors owe any municipal rates and taxes or municipal charges to the municipality / municipal entity, or to any other municipality / municipal entity, that is in arrears for more than three months?	Yes <input type="checkbox"/>	No <input type="checkbox"/>
4.4.1	If so, furnish particulars:		
4.5	Was any contract between the bidder and the municipality / municipal entity or any other organ of state terminated during the past five years on account of failure to perform on or comply with the contract?	Yes <input type="checkbox"/>	No <input type="checkbox"/>

4.7.1	If so, furnish particulars:
-------	-----------------------------

CERTIFICATION

**I, THE UNDERSIGNED (FULL NAME)
CERTIFY THAT THE INFORMATION FURNISHED ON THIS
DECLARATION FORM TRUE AND CORRECT.**

**I ACCEPT THAT, IN ADDITION TO CANCELLATION OF A CONTRACT, ACTION
MAY BE TAKEN AGAINST ME SHOULD THIS DECLARATION PROVE TO BE FALSE.**

.....
Signature

.....
Date

.....
Position

.....
Name of Bidder

CERTIFICATE OF INDEPENDENT BID DETERMINATION

- 1 This Municipal Bidding Document (MBD) must form part of all bids invited.
- 2 Section 4 (1) (b) (iii) of the Competition Act No. 89 of 1998, as amended, prohibits an agreement between, or concerted practice by, firms, or a decision by an association of firms, if it is between parties in a horizontal relationship and if it involves collusive bidding (or bid rigging). Collusive bidding is a *per se* prohibition meaning that it cannot be justified under any grounds.
- 3 Municipal Supply Regulation 38 (1) prescribes that a supply chain management policy must provide measures for the combating of abuse of the supply chain management system, and must enable the accounting officer, among others, to:
 - a. take all reasonable steps to prevent such abuse;
 - b. reject the bid of any bidder if that bidder or any of its directors has abused the supply chain management system of the municipality or municipal entity or has committed any improper conduct in relation to such system; and
 - c. cancel a contract awarded to a person if the person committed any corrupt or fraudulent act during the bidding process or the execution of the contract.
- 4 This MBD serves as a certificate of declaration that would be used by institutions to ensure that, when bids are considered, reasonable steps are taken to prevent any form of bid-rigging.
- 5 In order to give effect to the above, the attached Certificate of Bid Determination (MBD 9) must be completed and submitted with the bid:

Includes price quotations, advertised competitive bids, limited bids and proposals.

Bid rigging (or collusive bidding) occurs when businesses, that would otherwise be expected to compete, secretly conspire to raise prices or lower the quality of goods and / or services for purchasers who wish to acquire goods and / or services through a bidding process. Bid rigging is, therefore, an agreement between competitors not to compete.

CERTIFICATE OF INDEPENDENT BID DETERMINATION

I, the undersigned, in submitting the accompanying bid:

(Bid Number and Description)

in response to the invitation for the bid made by:

(Name of Municipality / Municipal Entity)

do hereby make the following statements that I certify to be true and complete in every respect:

I certify, on behalf of: _____ that:

(Name of Bidder)

1. I have read and I understand the contents of this Certificate;
2. I understand that the accompanying bid will be disqualified if this Certificate is found not to be true and complete in every respect;
3. I am authorized by the bidder to sign this Certificate, and to submit the accompanying bid, on behalf of the bidder;
4. Each person whose signature appears on the accompanying bid has been authorized by the bidder to determine the terms of, and to sign, the bid, on behalf of the bidder;
5. For the purposes of this Certificate and the accompanying bid, I understand that the word "competitor" shall include any individual or organization, other than the bidder, whether or not affiliated with the bidder, who:
 - (a) has been requested to submit a bid in response to this bid invitation;
 - (b) could potentially submit a bid in response to this bid invitation, based on their qualifications, abilities or experience; and
 - (c) provides the same goods and services as the bidder and/or is in the same line of business as the bidder

MQD 9

The bidder has arrived at the accompanying bid independently from, and without consultation, communication, agreement or arrangement with any competitor. However communication between partners in a joint venture or consortium³ will not be construed as collusive bidding.

6. In particular, without limiting the generality of paragraphs 6 above, there has been no consultation, communication, agreement or arrangement with any competitor regarding:

- (a) prices;
- (b) geographical area where product or service will be rendered (market allocation)
- (c) methods, factors or formulas used to calculate prices;
- (d) the intention or decision to submit or not to submit, a bid;
- (e) the submission of a bid which does not meet the specifications and conditions of the bid; or
- (f) bidding with the intention not to win the bid.

7. In addition, there have been no consultations, communications, agreements or arrangements with any competitor regarding the quality, quantity, specifications and conditions or delivery particulars of the products or services to which this bid invitation relates.

8. The terms of the accompanying bid have not been, and will not be, disclosed by the bidder, directly or indirectly, to any competitor, prior to the date and time of the official bid opening or of the awarding of the contract.

³ **Joint venture or Consortium means an association of persons for the purpose of combining their expertise, property, capital, efforts, skill and knowledge in an activity for the execution of a contract.**

10. I am aware that, in addition and without prejudice to any other remedy provided to combat any restrictive practices related to bids and contracts, bids that are suspicious will be reported to the Competition Commission for investigation and possible imposition of administrative penalties in terms of section 59 of the Competition Act No 89 of 1998 and or may be reported to the National Prosecuting Authority (NPA) for criminal investigation and or may be restricted from conducting business with the public sector for a period not exceeding ten (10) years in terms of the Prevention and Combating of Corrupt Activities Act No 12 of 2004 or any other applicable legislation.

.....
Signature

.....
Date

.....
Position

.....
Name of Bidder

ATTACH ALL ADDITIONAL ANNEXURES HERE

